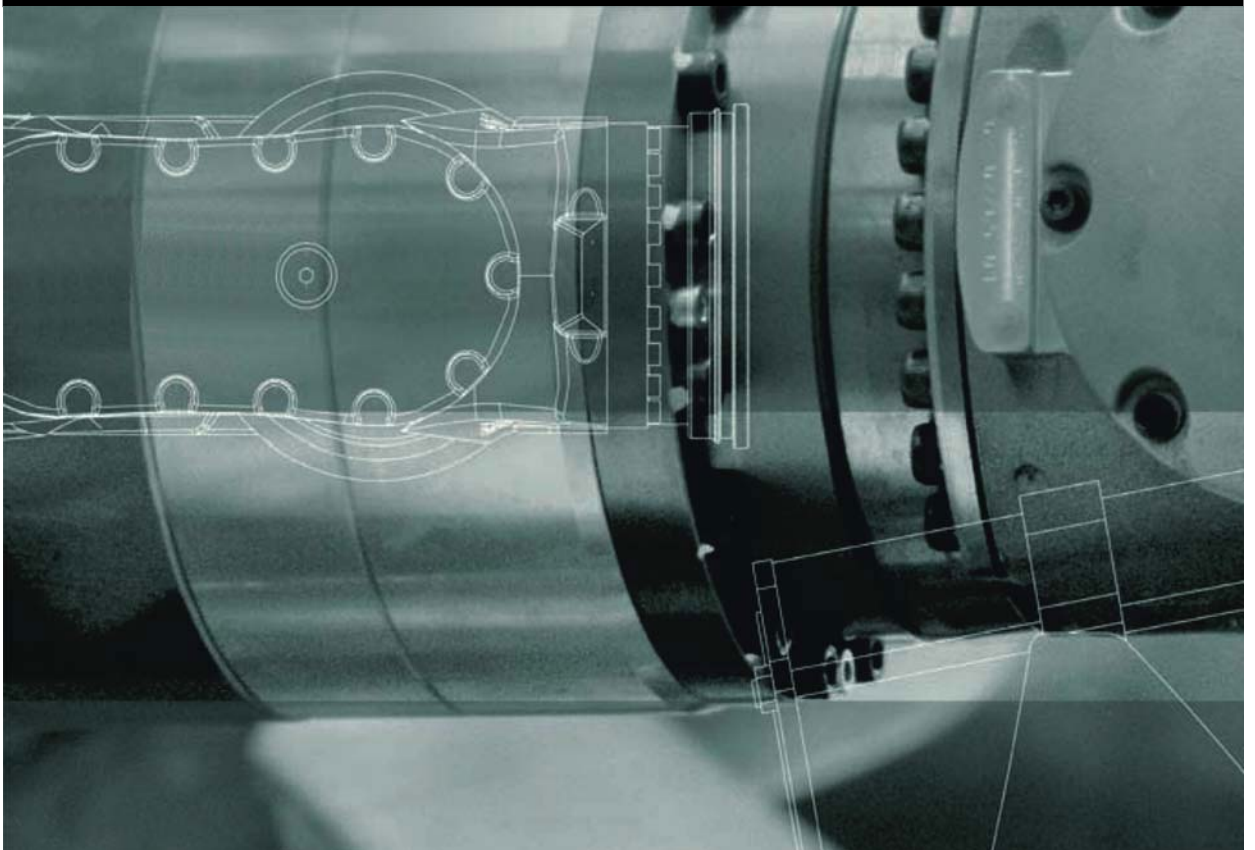


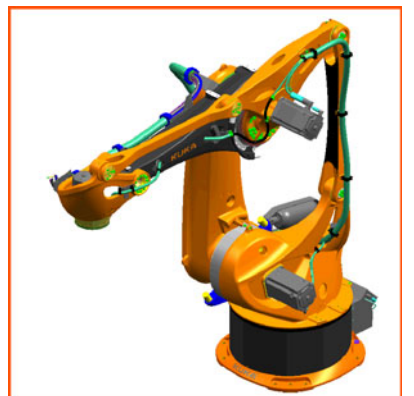
KR 700 PA, KR 700 PA arctic

Specification



Issued: 02.10.2012

Version: Spez KR 700 PA V7 en (PDF)



© Copyright 2012

KUKA Roboter GmbH
Zugspitzstraße 140
D-86165 Augsburg
Germany

This documentation or excerpts therefrom may not be reproduced or disclosed to third parties without the express permission of KUKA Roboter GmbH.

Other functions not described in this documentation may be operable in the controller. The user has no claims to these functions, however, in the case of a replacement or service work.

We have checked the content of this documentation for conformity with the hardware and software described. Nevertheless, discrepancies cannot be precluded, for which reason we are not able to guarantee total conformity. The information in this documentation is checked on a regular basis, however, and necessary corrections will be incorporated in the subsequent edition.

Subject to technical alterations without an effect on the function.

Translation of the original documentation

KIM-PS5-DOC

Publication:	Pub Spez KR 700 PA (PDF) en
Bookstructure:	Spez KR 700 PA V6.1
Version:	Spez KR 700 PA V7 en (PDF)

Contents

1	Introduction	5
1.1	Industrial robot documentation	5
1.2	Representation of warnings and notes	5
2	Purpose	7
2.1	Target group	7
2.2	Intended use	7
3	Product description	9
3.1	Overview of the robot system	9
3.2	Description of the robot	9
4	Technical data	13
4.1	Basic data	13
4.2	Axis data	14
4.3	Payloads	17
4.4	Foundation data	19
4.5	Plates and labels	20
4.6	Stopping distances and stopping times, KR 700 PA	22
4.6.1	General information	22
4.6.2	Terms used	22
4.6.3	Stopping distances and stopping times for STOP 0, axis 1 to axis 3	23
4.6.4	Stopping distances and stopping times for STOP 1, axis 1	24
4.6.5	Stopping distances and stopping times for STOP 1, axis 2	26
4.6.6	Stopping distances and stopping times for STOP 1, axis 3	28
5	Safety	29
5.1	General	29
5.1.1	Liability	29
5.1.2	Intended use of the industrial robot	30
5.1.3	EC declaration of conformity and declaration of incorporation	30
5.1.4	Terms used	31
5.2	Personnel	32
5.3	Workspace, safety zone and danger zone	33
5.4	Overview of protective equipment	34
5.4.1	Mechanical end stops	34
5.4.2	Mechanical axis range limitation (optional)	34
5.4.3	Axis range monitoring (optional)	35
5.4.4	Devices for moving the manipulator without the robot controller (options)	35
5.4.5	Labeling on the industrial robot	36
5.5	Safety measures	36
5.5.1	General safety measures	36
5.5.2	Transportation	38
5.5.3	Start-up and recommissioning	38
5.5.4	Manual mode	39
5.5.5	Automatic mode	40
5.5.6	Maintenance and repair	40
5.5.7	Decommissioning, storage and disposal	42

5.6	Applied norms and regulations	42
6	Planning	45
6.1	Mounting base 175 mm	45
6.2	Mounting base 200 mm	47
6.3	Machine frame mounting	49
6.4	Connecting cables and interfaces	50
7	Transportation	53
7.1	Transporting the robot	53
8	Options	57
8.1	Working range limitation, supplementary stop (optional)	57
8.2	Release device (optional)	57
9	KUKA Service	59
9.1	Requesting support	59
9.2	KUKA Customer Support	59
	Index	67

1 Introduction

1.1 Industrial robot documentation

The industrial robot documentation consists of the following parts:


- Documentation for the manipulator
- Documentation for the robot controller
- Operating and programming instructions for the KUKA System Software
- Documentation relating to options and accessories
- Parts catalog on storage medium


Each of these sets of instructions is a separate document.


1.2 Representation of warnings and notes


Safety


These warnings are relevant to safety and **must** be observed.

 **DANGER** These warnings mean that it is certain or highly probable that death or severe injury **will** occur, if no precautions are taken.

 **WARNING** These warnings mean that death or severe injury **may** occur, if no precautions are taken.


 **CAUTION** These warnings mean that minor injury **may** occur, if no precautions are taken.

 **NOTICE** These warnings mean that damage to property **may** occur, if no precautions are taken.

 These warnings contain references to safety-relevant information or general safety measures. These warnings do not refer to individual hazards or individual precautionary measures.

Notes

These hints serve to make your work easier or contain references to further information.

 Tip to make your work easier or reference to further information.

2 Purpose

2.1 Target group

This documentation is aimed at users with the following knowledge and skills:

- Advanced knowledge of mechanical engineering
- Advanced knowledge of electrical and electronic systems
- Knowledge of the robot controller system



For optimal use of our products, we recommend that our customers take part in a course of training at KUKA College. Information about the training program can be found at www.kuka.com or can be obtained directly from our subsidiaries.

2.2 Intended use

Use The industrial robot is intended for handling tools and fixtures, or for processing or transferring components or products. Use is only permitted under the specified environmental conditions.

Misuse Any use or application deviating from the intended use is deemed to be impermissible misuse. This includes e.g.:

- Transportation of persons and animals
- Use as a climbing aid
- Operation outside the permissible operating parameters
- Use in potentially explosive environments
- Underground operation

NOTICE

Changing the structure of the manipulator, e.g. by drilling holes, etc., can result in damage to the components. This is considered improper use and leads to loss of guarantee and liability entitlements.



The robot system is an integral part of a complete system and may only be operated in a CE-compliant system.

3 Product description

3.1 Overview of the robot system

This robot system can be operated with a KR C2 or KR C4 controller. The manipulator must be equipped with the corresponding electrical installations, however. This documentation is valid for both variants. The robot system is depicted with the KR C2, but attention is drawn to the differences.

The industrial robot consists of the following components:

- Manipulator
- Robot controller
- Teach pendant
- Connecting cables
- Software
- Options, accessories

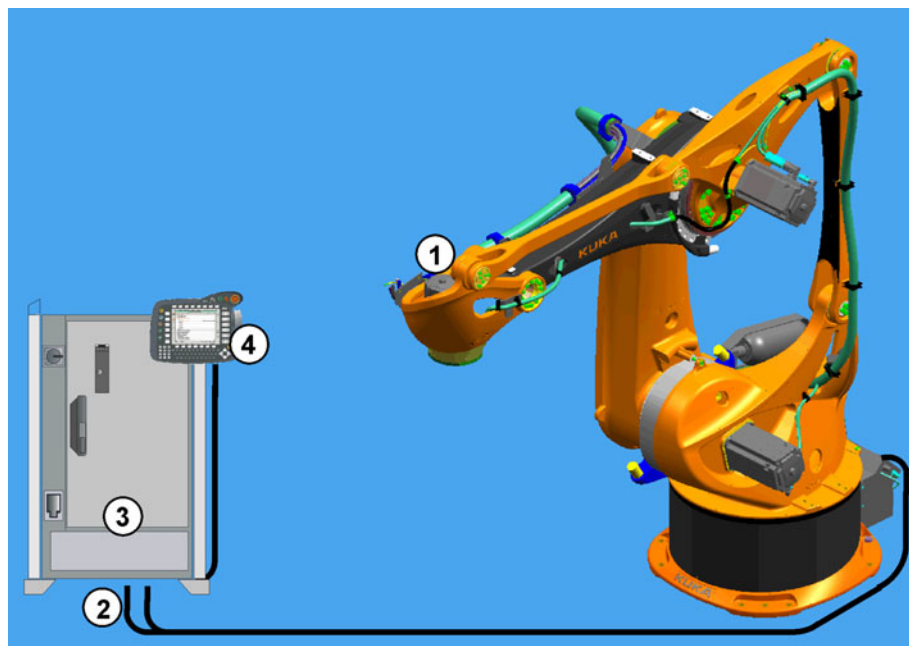


Fig. 3-1: Robot system KR 700 PA

- | | | | |
|---|-------------------|---|------------------------|
| 1 | Robot | 3 | KR C2 robot controller |
| 2 | Connecting cables | 4 | Teach pendant (KCP) |

3.2 Description of the robot

Overview

This robot is designed as a 4-axis parallelogram kinematic system. The structural components of the robots are made of light alloy and iron castings. The axes are driven by AC servomotors. A hydropneumatic counterbalancing system is used to equalize the load moment about axis 2.

The robot variant KR 700 PA arctic is characterized by extremely low permissible operating temperatures.

This documentation is valid for both the KR 700 PA (KR C2, KR C4) and the KR 700 PA arctic. Differences in characteristics and data will be indicated where relevant.

The robot consists of the following principal components (>>> Fig. 3-2):

- Wrist

- Arm
- Link arm
- Rotating column
- Base frame
- Counterbalancing system
- Electrical installations (variants: KR C2, arctic, KR C4)

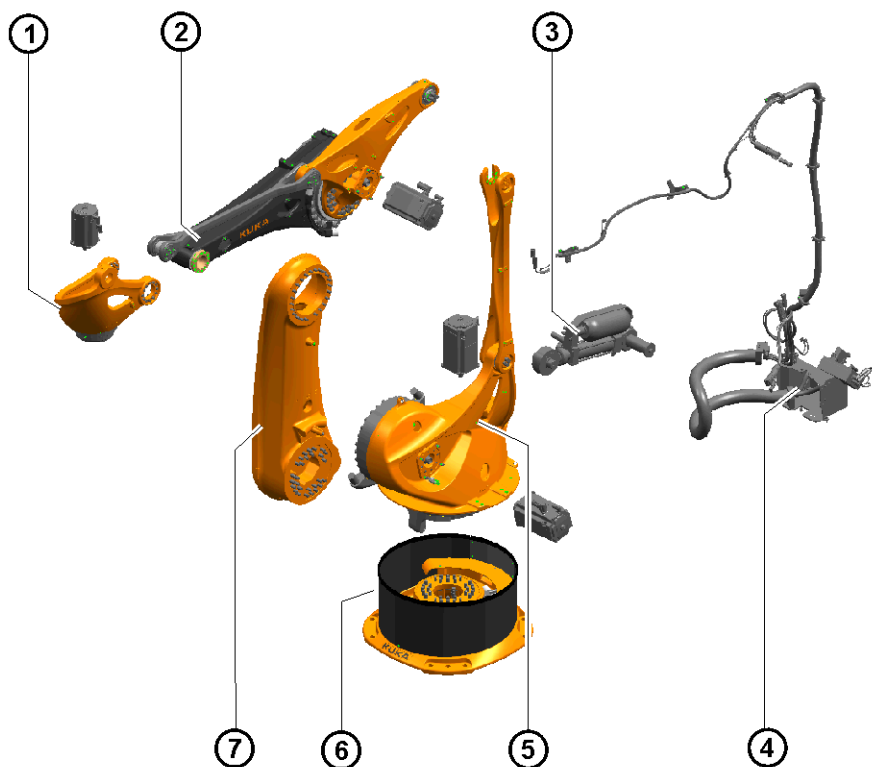


Fig. 3-2: KR 700 PA: main assemblies

- | | | | |
|---|--------------------------|---|-----------------|
| 1 | Wrist | 5 | Rotating column |
| 2 | Arm | 6 | Base frame |
| 3 | Counterbalancing system | 7 | Link arm |
| 4 | Electrical installations | | |

Wrist

The KR 700 PA robots are equipped with a single-axis wrist for a rated payload of 700 kg. The wrist is fastened to the arm via the bearing and is driven by the parallel arm. Mounted on the swing frame is the motor unit for axis 6 with the corresponding gear unit. The mounting flange embodies the output side of axis 6. The motor unit consists of a brushless AC servomotor with a permanent-magnet single-disk brake and hollow-shaft resolver, both integrated. The permanent-magnet single-disk brake performs a holding function when the servomotor is at rest and contributes to the braking of axis 6 in the event of short-circuit braking (e.g. if one or more of the enabling switches is released while in Test mode). Short-circuit braking must not be used to stop the robot under normal circumstances. An end effector can be attached to the mounting flange of axis 6. The axis has a gauge mount with a gauge cartridge, through which the mechanical zero of the axis can be determined by means of a dial gauge or an electronic probe (accessory) and transferred to the controller.

Arm

The arm is the transmission element between the wrist and the link arm. It supports the swing frame of wrist axis 6. The arm is driven by an AC servomotor via a gear unit that is installed between the arm and the link arm. This gear unit

is also the bearing for the arm and the coupler. The maximum permissible swivel angle is mechanically limited by a stop for each direction, plus and minus. The buffers are attached to the arm. The corresponding stops are integrated in the coupler.

- Link arm** The link arm is the assembly located between the arm and the rotating column. It is mounted on one side of the rotating column via the gear unit of axis 2 and is driven by an AC servomotor. During motion about axis 2, the link arm moves about the stationary rotating column. The swing frame with the mounting flange is kept parallel to the robot's mounting plane via the parallel arm, coupler and parallel link arm.
- Rotating column** The rotating column houses the motors of axes 1 and 2. The rotational motion of axis 1 is performed by the rotating column. It is screwed to the base frame via the gear unit of axis 1. The AC servomotor for driving axis 1 is mounted inside the rotating column. The counterbearing for the counterbalancing system is integrated into the rear of the rotating column housing. The fork slots are also screwed to the rotating column if the robot is transported using a fork lift truck.
- Base frame** The base frame is the base of the robot. It is screwed to the mounting base. The interfaces for the electrical installations and the energy supply systems (accessory) are housed in the base frame. The base frame and rotating column are connected via the gear unit of axis 1. The flexible tube for the electrical installations and the energy supply system is accommodated in the base frame.
- Counterbalancing system** The counterbalancing system is installed between the rotating column and the link arm and serves to minimize the moments generated about axis 2 when the robot is in motion and at rest. A closed, hydropneumatic system is used. The system consists of a diaphragm accumulator, a hydraulic cylinder with associated hoses, a pressure gauge and a safety valve.
- When the link arm is vertical, the counterbalancing system has no effect. With increasing deflection in the plus or minus direction, the hydraulic oil is pressed out of the cylinder and into the diaphragm accumulator, thereby generating the necessary counterforce to compensate the moment of the axis. The membrane of the accumulator is filled with nitrogen.
- A separate variant of the counterbalancing system is used for the robot KR 700 PA arctic.
- Electrical installations** The electrical installations are described in the operating instructions, in Chapter . Depending on the controller, the manipulator is equipped with electrical installations (cable set) for KR C2 or KR C4.
- A separate variant of the electrical installations is used for the robot KR 700 PA arctic, but not with KR C4.
- Options** The robot can be fitted and operated with various options, such as energy supply systems for axes 1 to 3, energy supply systems for axes 3 to 6, or working range limitation systems. The options are described in separate documentation.

4 Technical data

4.1 Basic data

Basic data

Type	KR 700 PA, KR 700 PA arctic
Number of axes	4
Volume of working envelope	73 m ³
Repeatability (ISO 9283)	±0.08 mm
Work envelope reference point	Intersection of axis 6 with the mounting flange face
Reach	3,320 mm
Weight of robot	2,850 kg
Weight of transport frame	212 kg
Principal dynamic loads	See "Loads acting on the mounting base"
Protection classification of the robot	IP65 ready for operation, with connecting cables plugged in (according to EN 60529)
Protection classification of the in-line wrist	IP65
Sound level	< 72 dB (A) outside the working envelope
Mounting position	Floor
Surface finish, paintwork	Base (stationary) and arm: black (RAL 9005); moving parts: KUKA orange 2567

Transport dimensions

		With transport frame
Length	2,485 mm	2,794 mm
Width	1,338 mm	1,338 mm
Height	2,570 mm	2,127 mm
	These dimensions refer to the robot only, without wooden transport blocks.	

Ambient temperature

Operation	278 K to 328 K (+5 °C to +55 °C)
Operation with Safe RDC	278 K to 323 K (+5 °C to +50 °C)
Storage and transportation	233 K to 333 K (-40 °C to +60 °C)
Start-up	278 K to 288 K (+5 °C to +15 °C) At these temperatures the robot may have to be warmed up before normal operation. Other temperature limits available on request.
Humidity rating	DIN EN 60721-3-3, Class 3K3

The maintenance intervals and the specified service life are based on typical gear unit temperatures and axis motions. If special functions or applications result in atypical gear unit temperatures or axis motions, this can lead to increased wear. In this case, the maintenance intervals or service life may be

shortened. If you have any questions, please contact KUKA Customer Support.

Ambient temperature, arctic

Operation	243 K to 283 K (-30 °C to +10 °C)
Storage and transportation	233 K to 333 K (-40 °C to +60 °C)
Start-up	283 K to 288 K (+10 °C to +15 °C)
Set-up	During set-up at normal temperatures (294 K / +21 °C), the temperature at the gear unit housing must not exceed 308 K (+35 °C).*
Humidity rating	DIN EN 60721-3-3, Class 3K3

* Further information about temperatures, duty cycle, set-up, etc. can be obtained from KUKA Technical Support. No restrictions in operating mode T1.

The maintenance intervals and the specified service life are based on typical gear unit temperatures and axis motions. If special functions or applications result in atypical gear unit temperatures or axis motions, this can lead to increased wear. In this case, the maintenance intervals or service life may be shortened. If you have any questions, please contact KUKA Customer Support.

Connecting cables

Cable designation	Connector designation	Interface with robot
Motor cable	X20 - X30	Harting connectors at both ends Rectangular connectors, size 24
Data cable	X21 - X31	M23 circular connectors at both ends
Ground conductor DIN EN 60204-20.2		Ring cable lug, 8 mm

Cable lengths	
Standard	15 m, 25 m, 35 m, 50 m

For connecting cables longer than 25 m an additional ground conductor is provided and must be installed.

Minimum bending radius	5x D
------------------------	------

For operation with KR C4, a ground conductor is always required, which can be ordered separately as an option.

For detailed specifications of the connecting cables, see "Description of the connecting cables".

4.2 Axis data

The following axis data are valid for the KR 700 PA and KR 700 PA arctic robots

Axis data

Axis	Range of motion, software-limited	Speed with rated payload
1	+/-185°	76 °/s
2	+10° to -120°	76 °/s
3	+150° to -10°*	67 °/s
6	+/-350°	168 °/s

* Maximum value, referred to the link arm, depending on the position of axis 2
The direction of motion and the arrangement of the individual axes may be noted from the diagram (>>> Fig. 4-1).

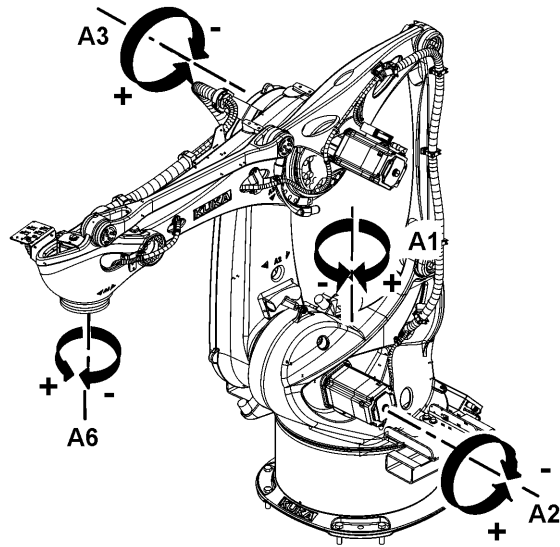


Fig. 4-1: Direction of rotation of robot axes

The diagram (>>> Fig. 4-2) shows the shape and size of the working envelope.

Working envelope

Dimensions: mm

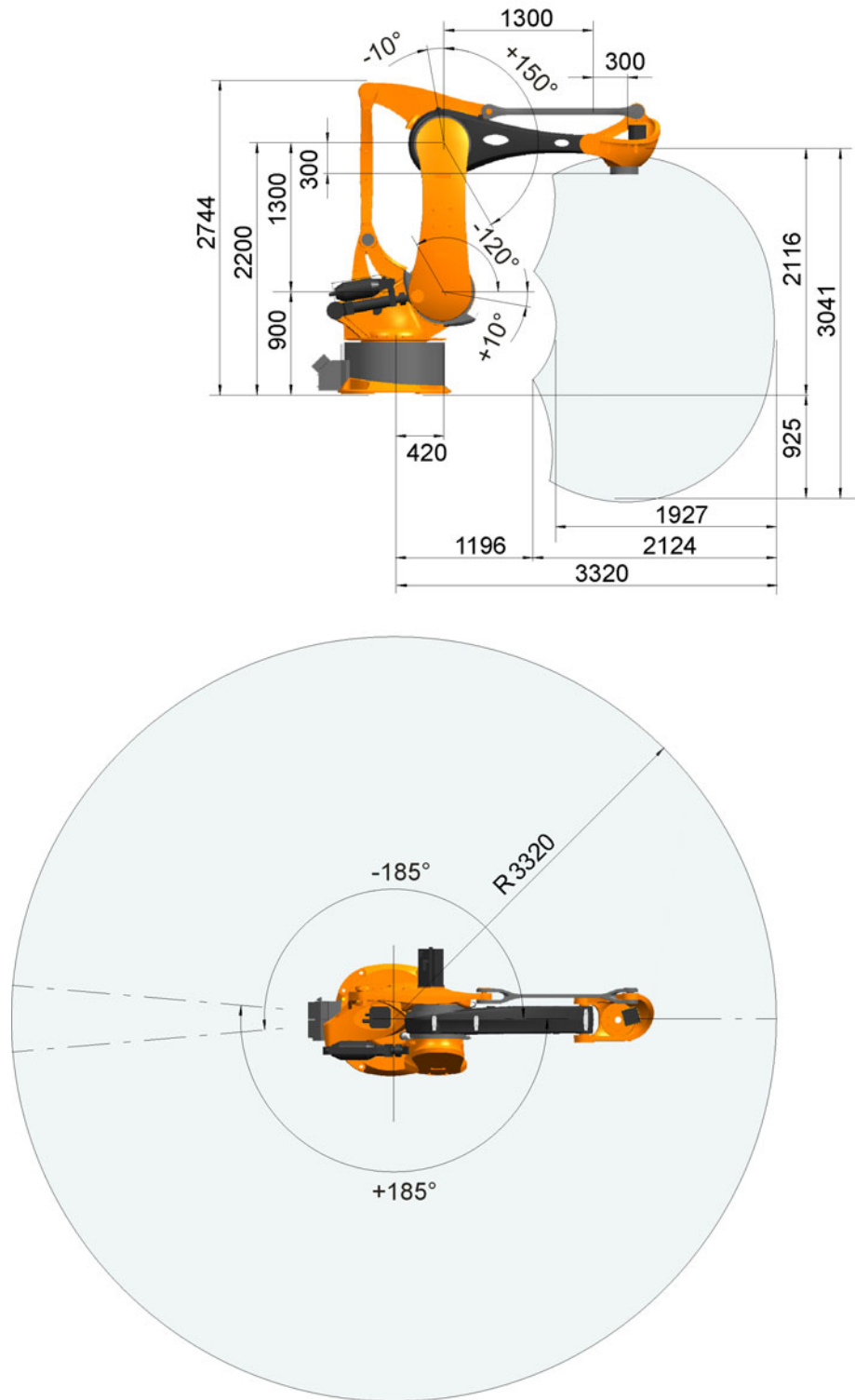


Fig. 4-2: Working envelope: KR 700 PA

The reference point for the working envelope is the intersection of axis 6 with the mounting flange face.

4.3 Payloads

Payloads

Robot	KR 700 PA, KR 700 PA arctic
Wrist	Wrist NA
Rated payload	700 kg
Distance of the load center of gravity L_z	300 mm
Distance of the load center of gravity L_{xy}	350 mm
Permissible moment of inertia	350 kgm ²
Max. total load	750 kg
Supplementary load, arm	50 kg
Supplementary load, link arm	0 kg
Supplementary load, rotating column	0 kg

Load center of gravity P

For all payloads, the load center of gravity refers to the distance from the face of the mounting flange on axis 6. Refer to the payload diagram for the nominal distance.

Payload diagram

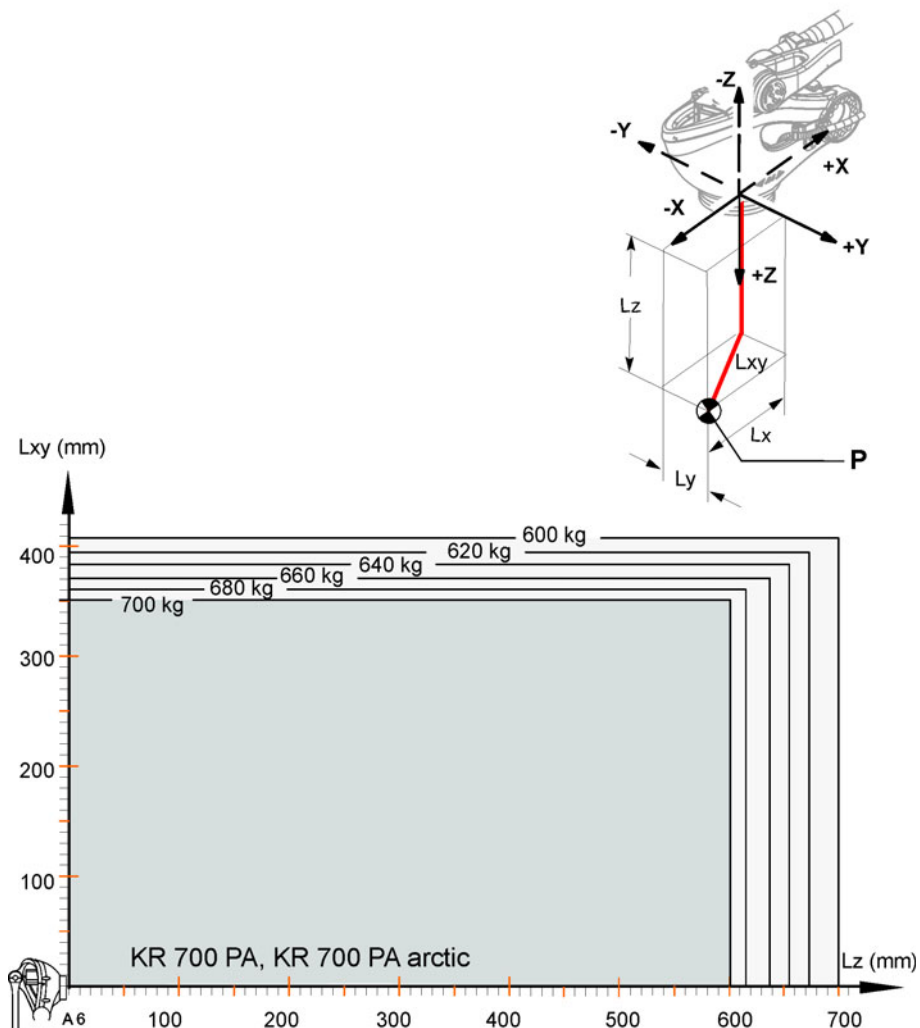


Fig. 4-3: Payload diagram

NOTICE This loading curve corresponds to the maximum load capacity. Both values (payload and mass moment of inertia) must be checked in all cases. Exceeding this capacity will reduce the service life of the robot and overload the motors and the gears; in any such case the KUKA Roboter GmbH must be consulted beforehand. The values determined here are necessary for planning the robot application. For commissioning the robot, additional input data are required in accordance with operating and programming instructions of the KUKA System Software. The mass inertia must be verified using KUKA.Load. It is imperative for the load data to be entered in the robot controller!

Mounting flange

Mounting flange	similar to DIN/ISO 9409-1-A200*
Screw grade	10.9
Screw size	M12
Number of fastening threads	23
Grip length	1.5 x nominal diameter
Depth of engagement	min. 15 mm, max. 19.5 mm
Locating element	12 H7
Through-hole for energy supply system	ø 60 mm

*The inner locating diameter is ø 160 H7. This deviates from the standard.

The mounting flange is depicted with axis 6 in the zero position. The symbol X_m indicates the position of the locating element (bushing) in the zero position.

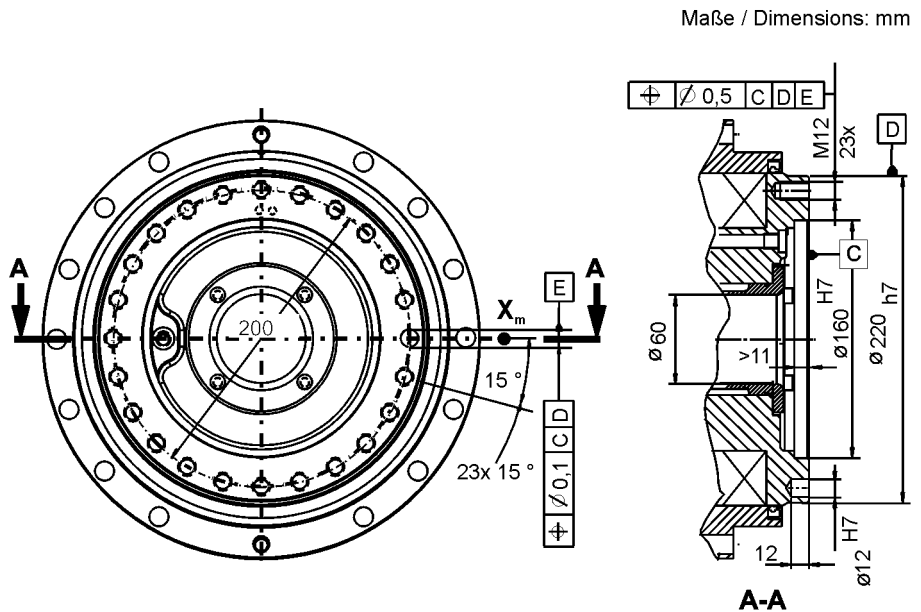


Fig. 4-4: Mounting flange

Supplementary load

The robot can carry supplementary loads on the arm. When mounting the supplementary loads, be careful to observe the maximum permissible total load. The dimensions and positions of the installation options can be seen in the diagram (>>> Fig. 4-5). All other threads and holes on the robot are not suitable for attaching additional loads.

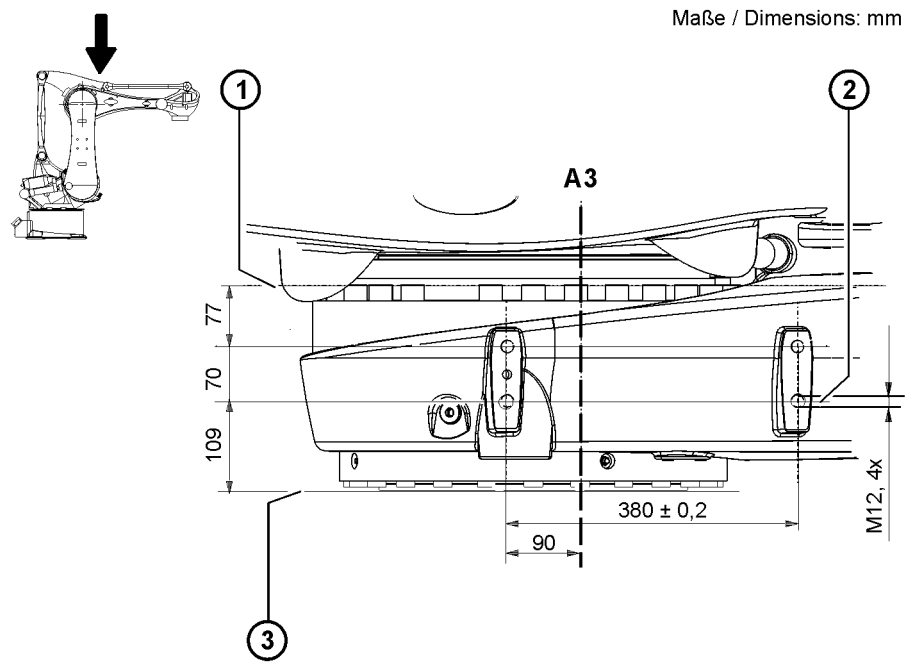


Fig. 4-5: Supplementary load on arm

- | | | | |
|---|------------------------------|---|-------------------------------|
| 1 | Interference contour on left | 3 | Interference contour on right |
| 2 | Fastening threads | | |

4.4 Foundation data

Foundation loads The specified forces and moments already include the payload and the inertia force (weight) of the robot.

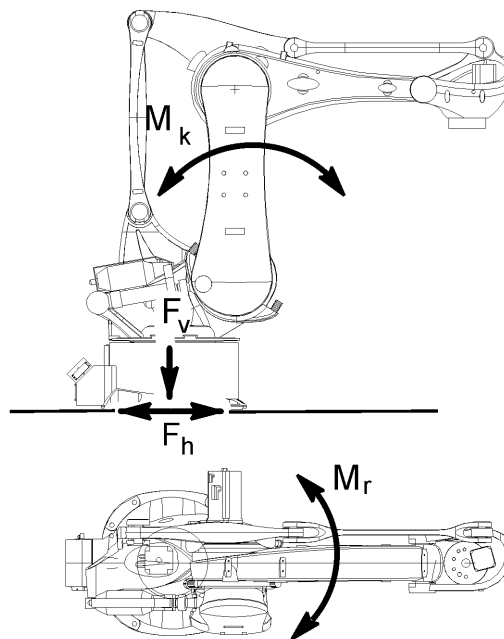


Fig. 4-6: Loads acting on the foundation

Type of load	Force/torque/mass
F_v = vertical force	$F_{vmax} = 63,000 \text{ N}$
F_h = horizontal force	$F_{hmax} = 17,500 \text{ N}$
M_k = tilting moment	$M_{kmax} = 109,000 \text{ Nm}$
M_r = torque	$M_{rmax} = 43,000 \text{ Nm}$
Total mass for load acting on the mounting base	3,600 kg
Robot	2,850 kg
Total load for foundation load	750 kg

NOTICE

The mounting base loads specified in the table are the maximum loads that may occur. They must be referred to when dimensioning the mounting bases and must be adhered to for safety reasons.

The supplementary loads are not taken into consideration in the calculation of the foundation load. These supplementary loads must be taken into consideration for F_v .

Grade of concrete for foundations

When producing foundations from concrete, observe the load-bearing capacity of the ground and the country-specific construction regulations. The quality of the concrete must meet the requirements of the following standard:

- C20/25 according to DIN EN 206-1:2001/DIN 1045-2:2001

4.5 Plates and labels**Plates and labels**

The following plates and labels are attached to the robot. They must not be removed or rendered illegible. Illegible plates and labels must be replaced.

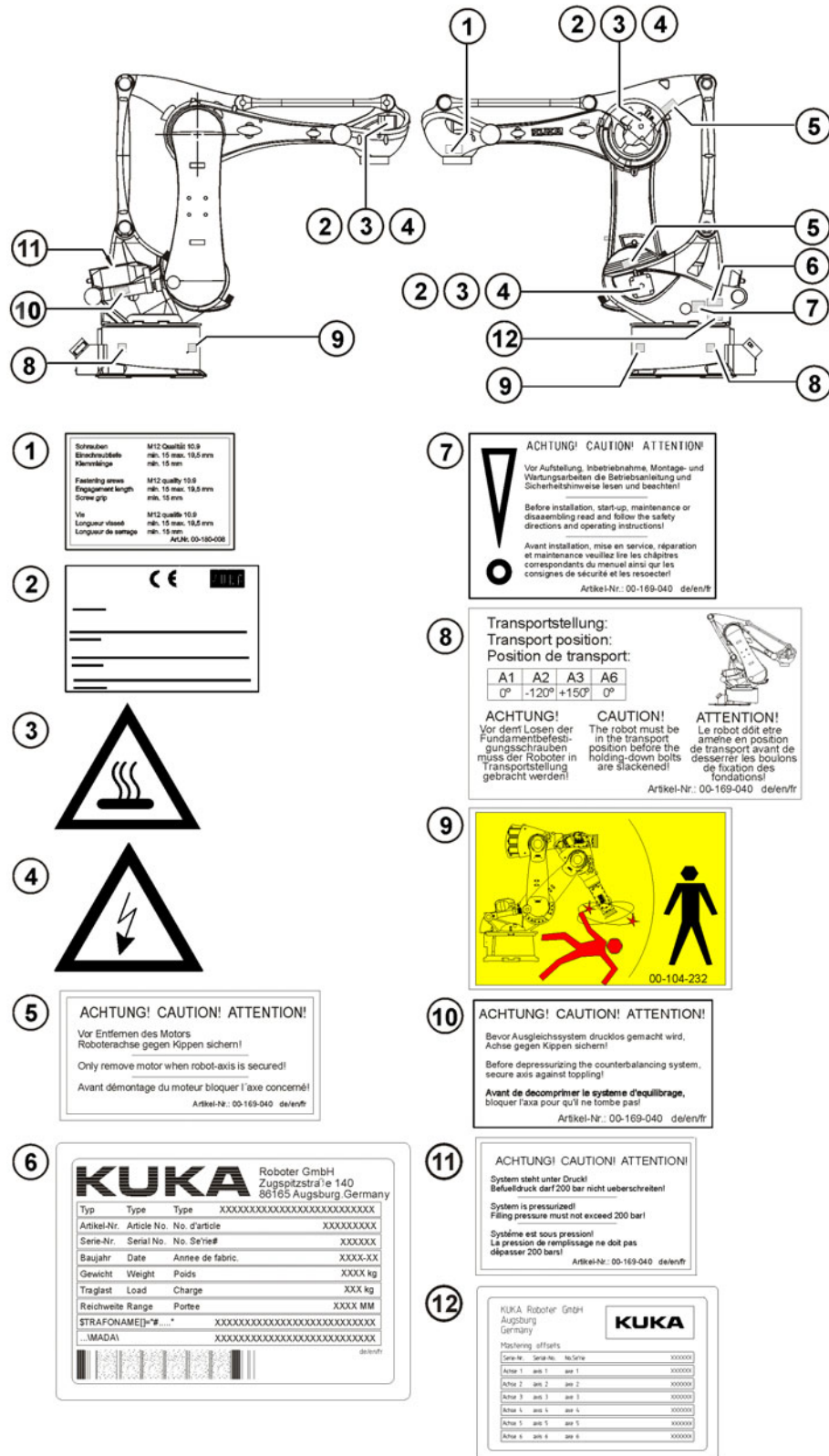


Fig. 4-7: Plates and labels

4.6 Stopping distances and stopping times, KR 700 PA

4.6.1 General information

Information concerning the data:

- The stopping distance is the angle traveled by the robot from the moment the stop signal is triggered until the robot comes to a complete standstill.
- The stopping time is the time that elapses from the moment the stop signal is triggered until the robot comes to a complete standstill.
- The data are given for the main axes A1, A2 and A3. The main axes are the axes with the greatest deflection.
- Superposed axis motions can result in longer stopping distances.
- Stopping distances and stopping times in accordance with DIN EN ISO 10218-1, Annex B.
- Stop categories:
 - Stop category 0 » STOP 0
 - Stop category 1 » STOP 1 according to IEC 60204-1
- The values specified for Stop 0 are guide values determined by means of tests and simulation. They are average values which conform to the requirements of DIN EN ISO 10218-1. The actual stopping distances and stopping times may differ due to internal and external influences on the braking torque. It is therefore advisable to determine the exact stopping distances and stopping times where necessary under the real conditions of the actual robot application.
- Measuring technique
The stopping distances were measured using the robot-internal measuring technique.
- The wear on the brakes varies depending on the operating mode, robot application and the number of STOP 0 triggered. It is therefore advisable to check the stopping distance at least once a year.

4.6.2 Terms used

Term	Description
m	Mass of the rated load and the supplementary load on the arm.
Phi	Angle of rotation (°) about the corresponding axis. This value can be entered in the controller via the KCP and is displayed on the KCP.
POV	Program override (%) = velocity of the robot motion. This value can be entered in the controller via the KCP and is displayed on the KCP.
Extension	Distance (l in %) (>>> Fig. 4-8) between axis 1 and the intersection of axes 4 and 5. With parallelogram robots, the distance between axis 1 and the intersection of axis 6 and the mounting flange.
KCP	The KCP teach pendant has all the operator control and display functions required for operating and programming the robot system.

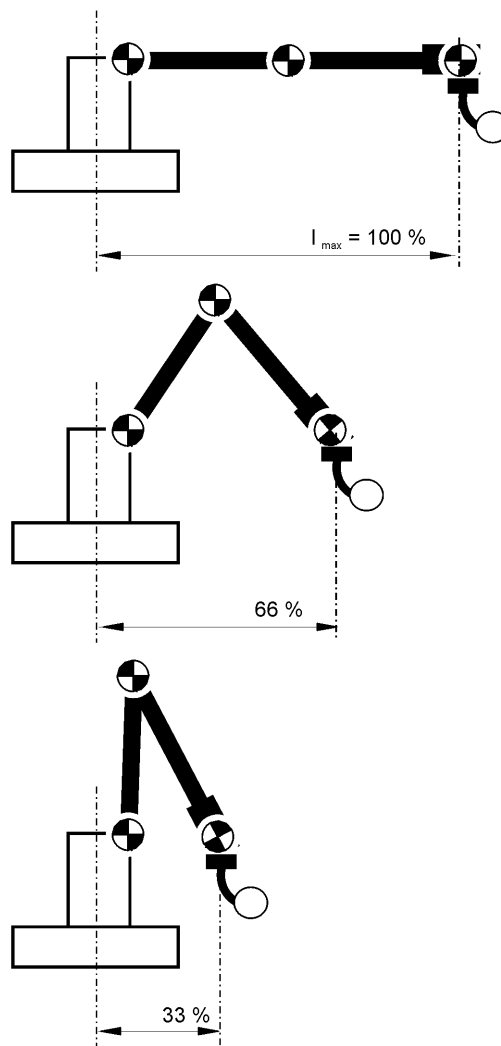


Fig. 4-8: Extension

4.6.3 Stopping distances and stopping times for STOP 0, axis 1 to axis 3

The table shows the stopping distances and stopping times after a STOP 0 (category 0 stop) is triggered. The values refer to the following configuration:

- Extension $l = 100\%$
- Program override POV = 100%
- Mass $m =$ maximum load (rated load + supplementary load on arm)

	Extension (%)	Stopping distance (°)	Stopping time (s)
Axis 1	100	87.12	2.125
Axis 2	33	26.30	0.710
Axis 2	66	39.40	0.996
Axis 2	100	6.76	1.860
Axis 3	100	77.61	1.430

4.6.4 Stopping distances and stopping times for STOP 1, axis 1

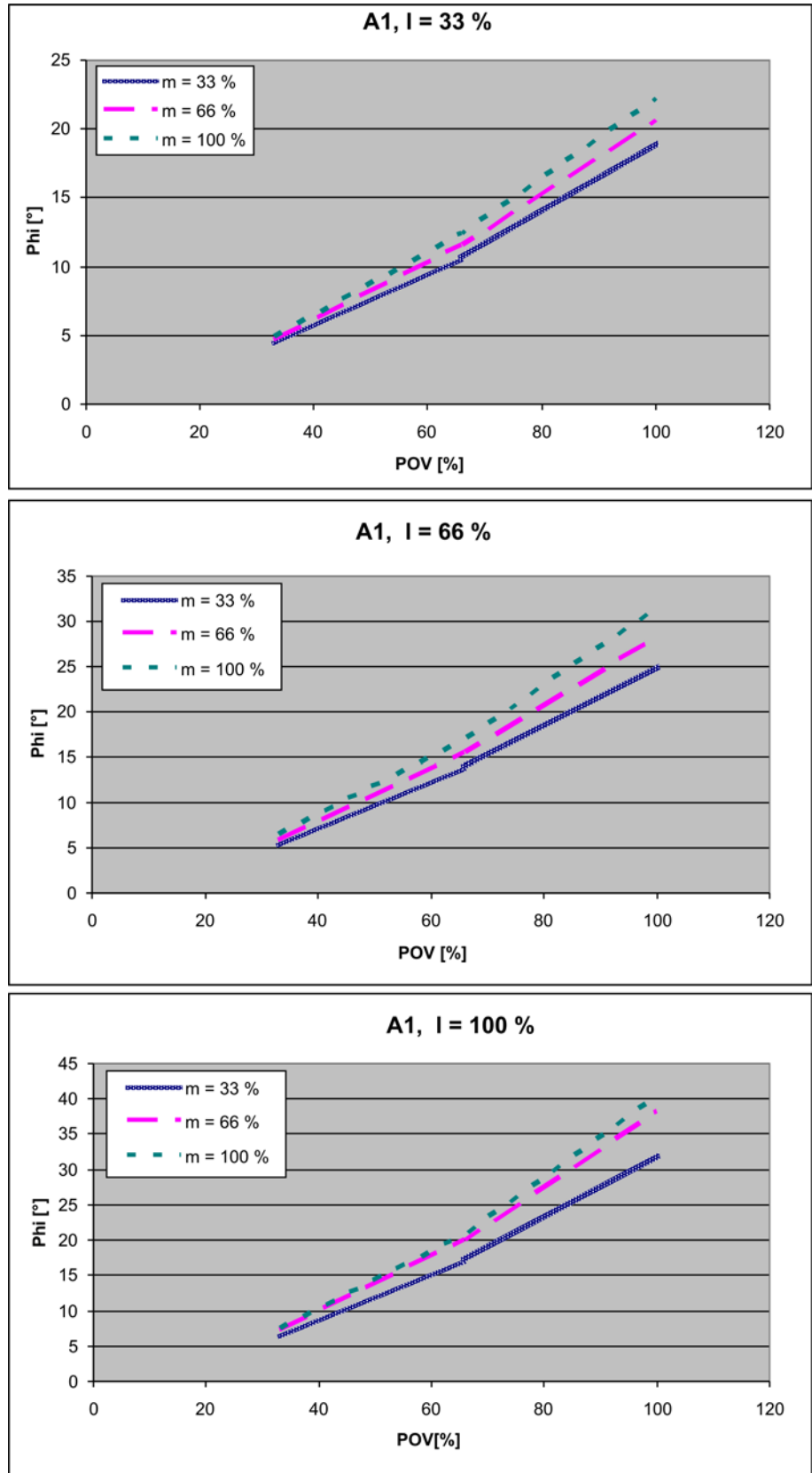


Fig. 4-9: Stopping distances for STOP 1, axis 1

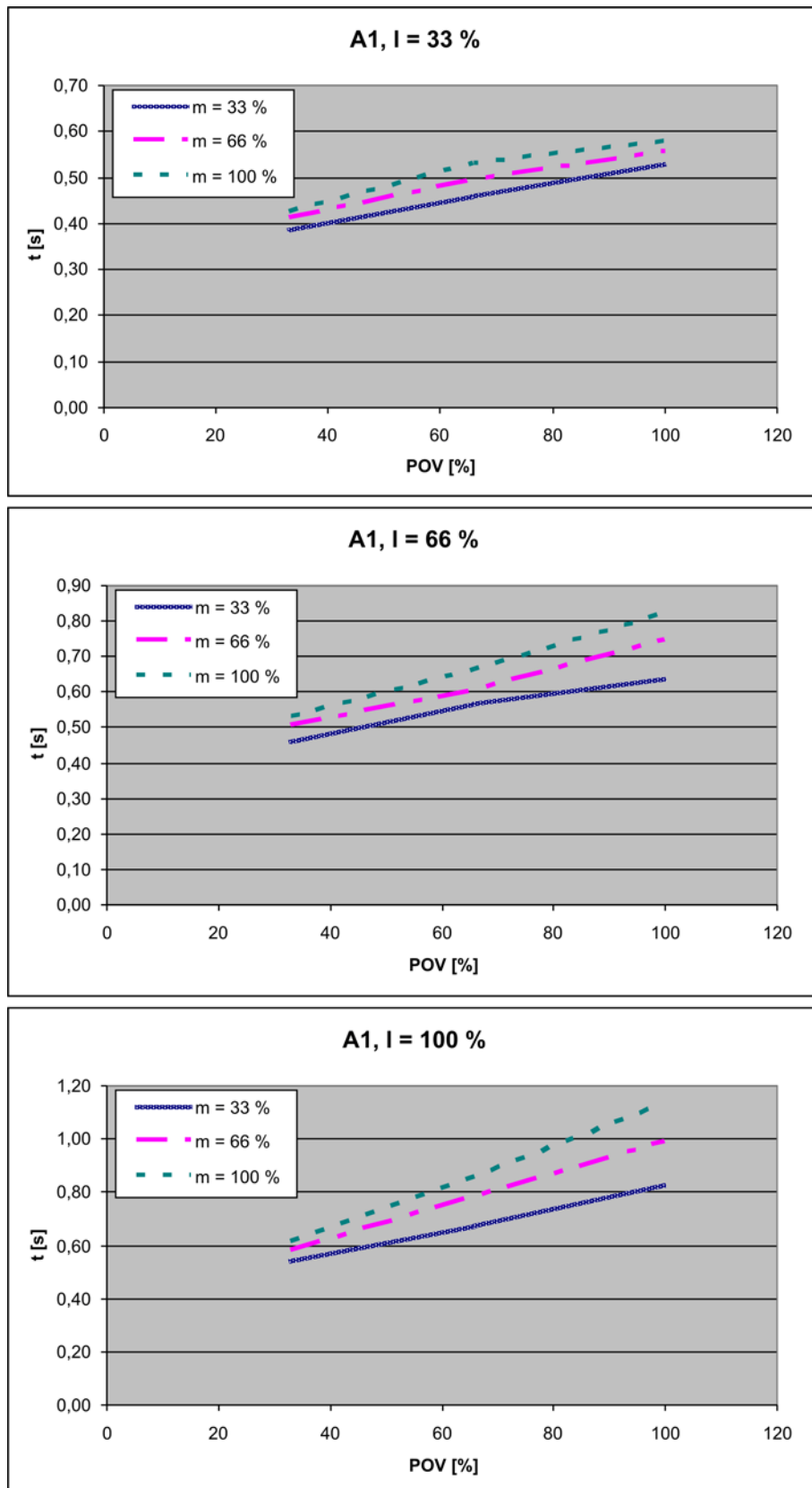


Fig. 4-10: Stopping times for STOP 1, axis 1

4.6.5 Stopping distances and stopping times for STOP 1, axis 2

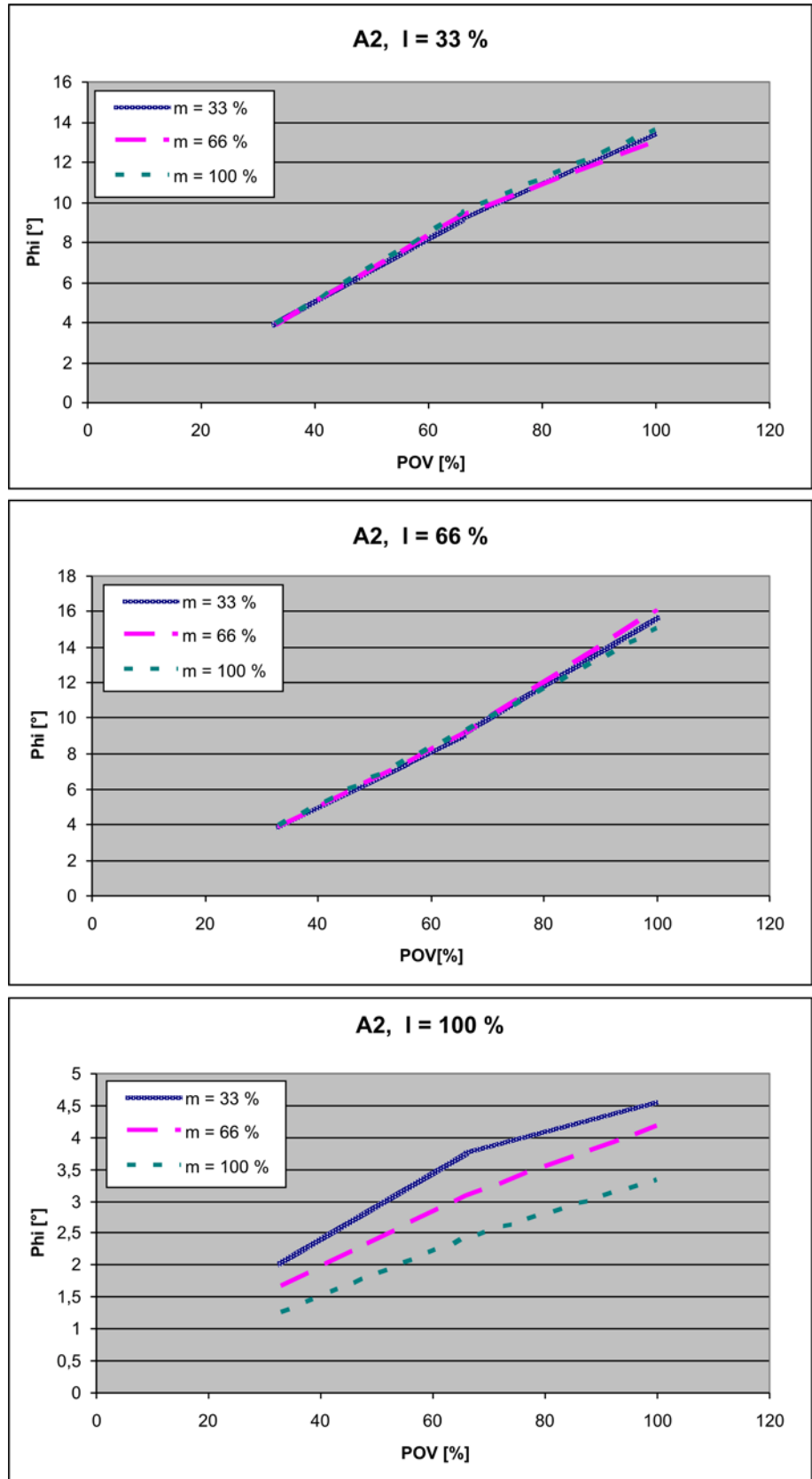


Fig. 4-11: Stopping distances for STOP 1, axis 2

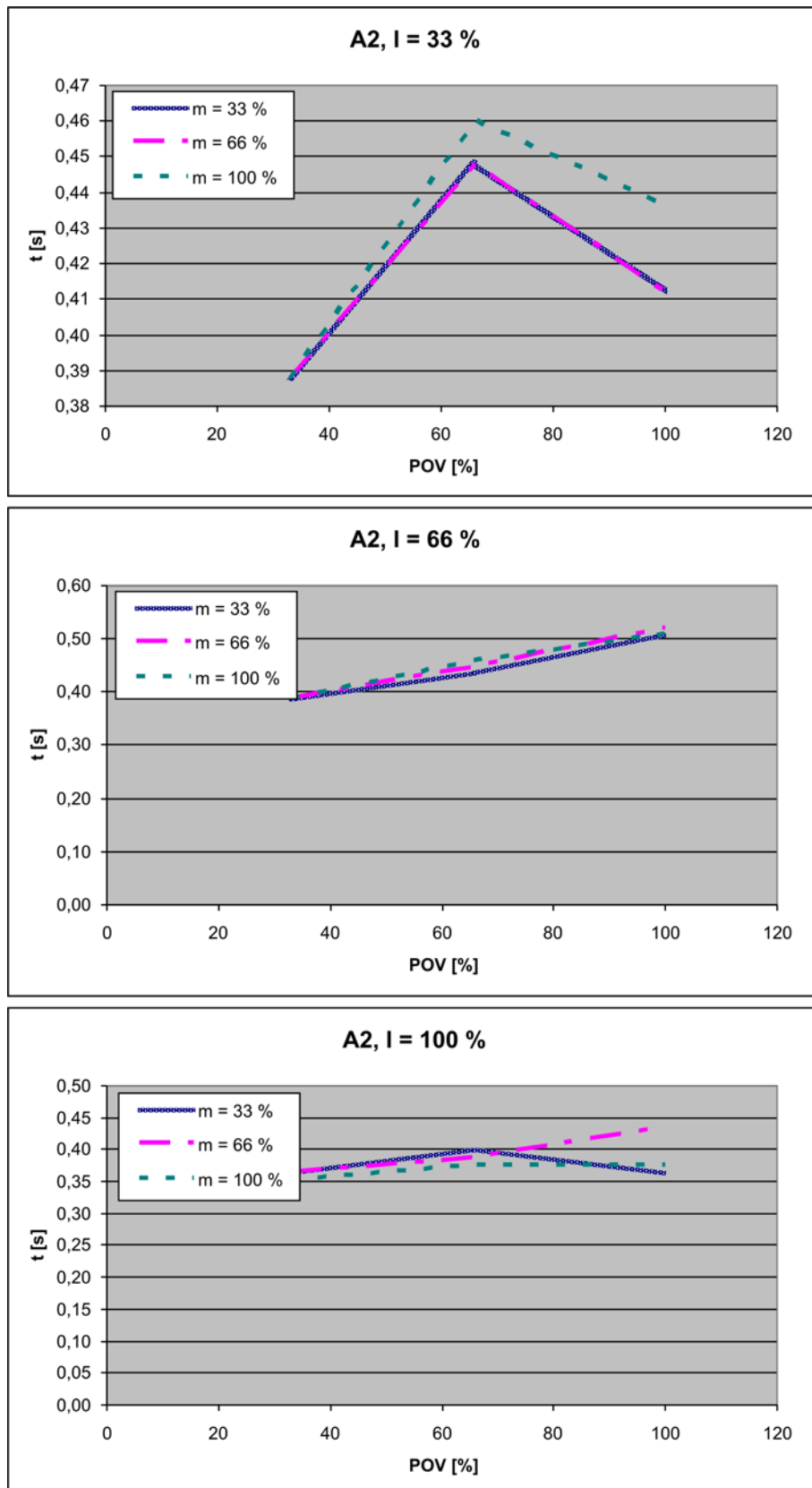


Fig. 4-12: Stopping times for STOP 1, axis 2

4.6.6 Stopping distances and stopping times for STOP 1, axis 3

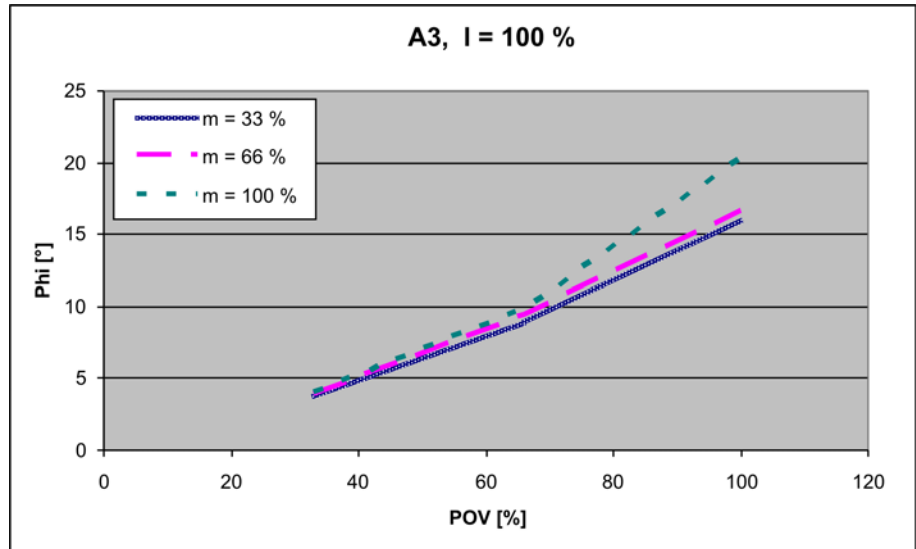


Fig. 4-13: Stopping distances for STOP 1, axis 3

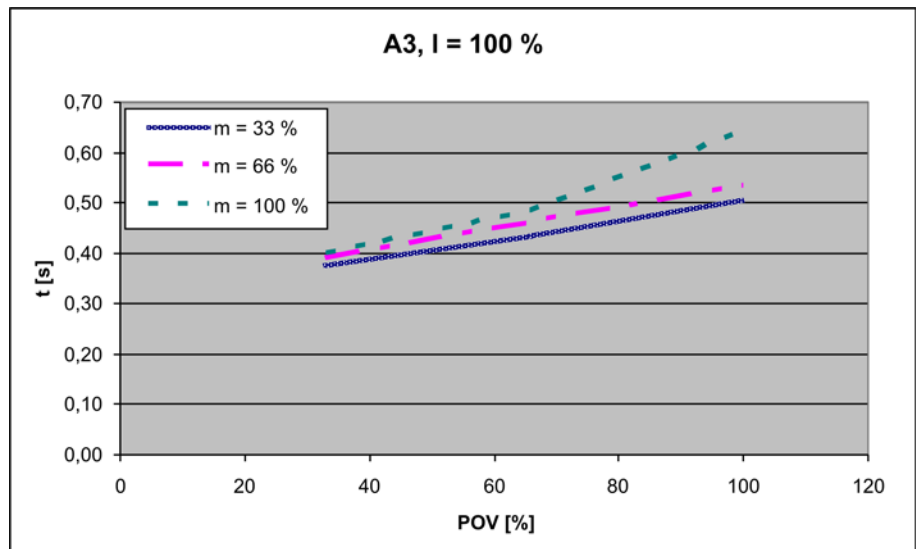


Fig. 4-14: Stopping times for STOP 1, axis 3

5 Safety

5.1 General



- This “Safety” chapter refers to a mechanical component of an industrial robot.
 - If the mechanical component is used together with a KUKA robot controller, the “Safety” chapter of the operating instructions or assembly instructions of the robot controller must be used!
- This contains all the information provided in this “Safety” chapter. It also contains additional safety information relating to the robot controller which must be observed.
- Where this “Safety” chapter uses the term “industrial robot”, this also refers to the individual mechanical component if applicable.

5.1.1 Liability

The device described in this document is either an industrial robot or a component thereof.

Components of the industrial robot:

- Manipulator
- Robot controller
- Teach pendant
- Connecting cables
- External axes (optional)
e.g. linear unit, turn-tilt table, positioner
- Software
- Options, accessories

The industrial robot is built using state-of-the-art technology and in accordance with the recognized safety rules. Nevertheless, misuse of the industrial robot may constitute a risk to life and limb or cause damage to the industrial robot and to other material property.

The industrial robot may only be used in perfect technical condition in accordance with its intended use and only by safety-conscious persons who are fully aware of the risks involved in its operation. Use of the industrial robot is subject to compliance with this document and with the declaration of incorporation supplied together with the industrial robot. Any functional disorders affecting the safety of the industrial robot must be rectified immediately.

Safety information

Safety information cannot be held against KUKA Roboter GmbH. Even if all safety instructions are followed, this is not a guarantee that the industrial robot will not cause personal injuries or material damage.

No modifications may be carried out to the industrial robot without the authorization of KUKA Roboter GmbH. Additional components (tools, software, etc.), not supplied by KUKA Roboter GmbH, may be integrated into the industrial robot. The user is liable for any damage these components may cause to the industrial robot or to other material property.

In addition to the Safety chapter, this document contains further safety instructions. These must also be observed.

5.1.2 Intended use of the industrial robot

The industrial robot is intended exclusively for the use designated in the “Purpose” chapter of the operating instructions or assembly instructions.



Further information is contained in the “Purpose” chapter of the operating instructions or assembly instructions of the industrial robot.

Using the industrial robot for any other or additional purpose is considered impermissible misuse. The manufacturer cannot be held liable for any damage resulting from such use. The risk lies entirely with the user.

Operating the industrial robot and its options within the limits of its intended use also involves observance of the operating and assembly instructions for the individual components, with particular reference to the maintenance specifications.

Misuse

Any use or application deviating from the intended use is deemed to be impermissible misuse. This includes e.g.:

- Transportation of persons and animals
- Use as a climbing aid
- Operation outside the permissible operating parameters
- Use in potentially explosive environments
- Operation without additional safeguards
- Outdoor operation
- Underground operation

5.1.3 EC declaration of conformity and declaration of incorporation

This industrial robot constitutes partly completed machinery as defined by the EC Machinery Directive. The industrial robot may only be put into operation if the following preconditions are met:

- The industrial robot is integrated into a complete system.
Or: The industrial robot, together with other machinery, constitutes a complete system.
Or: All safety functions and safeguards required for operation in the complete machine as defined by the EC Machinery Directive have been added to the industrial robot.
- The complete system complies with the EC Machinery Directive. This has been confirmed by means of an assessment of conformity.

Declaration of conformity

The system integrator must issue a declaration of conformity for the complete system in accordance with the Machinery Directive. The declaration of conformity forms the basis for the CE mark for the system. The industrial robot must be operated in accordance with the applicable national laws, regulations and standards.

The robot controller is CE certified under the EMC Directive and the Low Voltage Directive.

Declaration of incorporation

The industrial robot as partly completed machinery is supplied with a declaration of incorporation in accordance with Annex II B of the EC Machinery Directive 2006/42/EC. The assembly instructions and a list of essential requirements complied with in accordance with Annex I are integral parts of this declaration of incorporation.

The declaration of incorporation declares that the start-up of the partly completed machinery remains impermissible until the partly completed machinery

has been incorporated into machinery, or has been assembled with other parts to form machinery, and this machinery complies with the terms of the EC Machinery Directive, and the EC declaration of conformity is present in accordance with Annex II A.

The declaration of incorporation, together with its annexes, remains with the system integrator as an integral part of the technical documentation of the complete machinery.

5.1.4 Terms used

Term	Description
Axis range	Range of each axis, in degrees or millimeters, within which it may move. The axis range must be defined for each axis.
Stopping distance	Stopping distance = reaction distance + braking distance The stopping distance is part of the danger zone.
Workspace	The manipulator is allowed to move within its workspace. The workspace is derived from the individual axis ranges.
Operator (User)	The user of the industrial robot can be the management, employer or delegated person responsible for use of the industrial robot.
Danger zone	The danger zone consists of the workspace and the stopping distances.
Service life	The service life of a safety-relevant component begins at the time of delivery of the component to the customer. The service life is not affected by whether the component is used in a robot controller or elsewhere or not, as safety-relevant components are also subject to ageing during storage.
KCP	The KCP (KUKA Control Panel) teach pendant has all the operator control and display functions required for operating and programming the industrial robot. The KCP variant for the KR C4 is called KUKA smartPAD. The general term "KCP", however, is generally used in this documentation.
KUKA smartPAD	See KCP
Manipulator	The robot arm and the associated electrical installations
Safety zone	The safety zone is situated outside the danger zone.
Stop category 0	The drives are deactivated immediately and the brakes are applied. The manipulator and any external axes (optional) perform path-oriented braking. Note: This stop category is called STOP 0 in this document.
Stop category 1	The manipulator and any external axes (optional) perform path-maintaining braking. The drives are deactivated after 1 s and the brakes are applied. Note: This stop category is called STOP 1 in this document.
Stop category 2	The drives are not deactivated and the brakes are not applied. The manipulator and any external axes (optional) are braked with a normal braking ramp. Note: This stop category is called STOP 2 in this document.
System integrator (plant integrator)	System integrators are people who safely integrate the industrial robot into a complete system and commission it.
T1	Test mode, Manual Reduced Velocity (≤ 250 mm/s)
T2	Test mode, Manual High Velocity (> 250 mm/s permissible)
External axis	Motion axis which is not part of the manipulator but which is controlled using the robot controller, e.g. KUKA linear unit, turn-tilt table, Posiflex.

5.2 Personnel

The following persons or groups of persons are defined for the industrial robot:

- User
- Personnel



All persons working with the industrial robot must have read and understood the industrial robot documentation, including the safety chapter.

User

The user must observe the labor laws and regulations. This includes e.g.:

- The user must comply with his monitoring obligations.
- The user must carry out instructions at defined intervals.

Personnel

Personnel must be instructed, before any work is commenced, in the type of work involved and what exactly it entails as well as any hazards which may exist. Instruction must be carried out regularly. Instruction is also required after particular incidents or technical modifications.

Personnel includes:

- System integrator
- Operators, subdivided into:
 - Start-up, maintenance and service personnel
 - Operating personnel
 - Cleaning personnel



Installation, exchange, adjustment, operation, maintenance and repair must be performed only as specified in the operating or assembly instructions for the relevant component of the industrial robot and only by personnel specially trained for this purpose.

System integrator

The industrial robot is safely integrated into a complete system by the system integrator.

The system integrator is responsible for the following tasks:

- Installing the industrial robot
- Connecting the industrial robot
- Performing risk assessment
- Implementing the required safety functions and safeguards
- Issuing the declaration of conformity
- Attaching the CE mark
- Creating the operating instructions for the complete system

Operator

The operator must meet the following preconditions:

- The operator must be trained for the work to be carried out.
- Work on the industrial robot must only be carried out by qualified personnel. These are people who, due to their specialist training, knowledge and experience, and their familiarization with the relevant standards, are able to assess the work to be carried out and detect any potential hazards.

Example

The tasks can be distributed as shown in the following table.

Tasks	Operator	Programmer	System integrator
Switch robot controller on/off	x	x	x
Start program	x	x	x
Select program	x	x	x
Select operating mode	x	x	x
Calibration (tool, base)		x	x
Master the manipulator		x	x
Configuration		x	x
Programming		x	x
Start-up			x
Maintenance			x
Repair			x
Decommissioning			x
Transportation			x



Work on the electrical and mechanical equipment of the industrial robot may only be carried out by specially trained personnel.

5.3 Workspace, safety zone and danger zone

Workspaces are to be restricted to the necessary minimum size. A workspace must be safeguarded using appropriate safeguards.

The safeguards (e.g. safety gate) must be situated inside the safety zone. In the case of a stop, the manipulator and external axes (optional) are braked and come to a stop within the danger zone.

The danger zone consists of the workspace and the stopping distances of the manipulator and external axes (optional). It must be safeguarded by means of physical safeguards to prevent danger to persons or the risk of material damage.

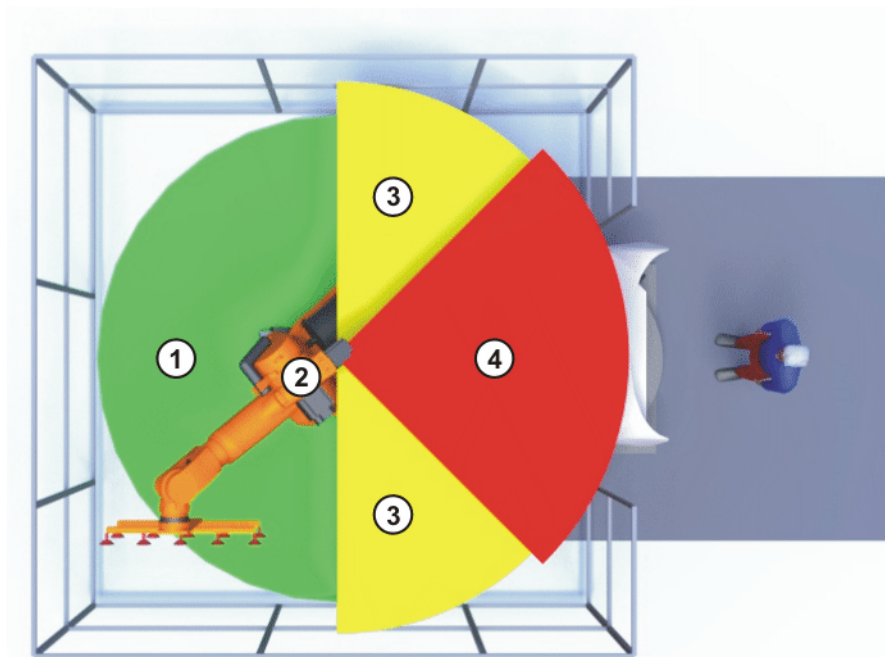


Fig. 5-1: Example of axis range A1

- | | | | |
|---|-------------|---|-------------------|
| 1 | Workspace | 3 | Stopping distance |
| 2 | Manipulator | 4 | Safety zone |

5.4 Overview of protective equipment

The protective equipment of the mechanical component may include:

- Mechanical end stops
- Mechanical axis range limitation (optional)
- Axis range monitoring (optional)
- Release device (optional)
- Labeling of danger areas

Not all equipment is relevant for every mechanical component.

5.4.1 Mechanical end stops

Depending on the robot variant, the axis ranges of the main and wrist axes of the manipulator are partially limited by mechanical end stops.

Additional mechanical end stops can be installed on the external axes.

NOTICE


If the manipulator or an external axis hits an obstruction or a mechanical end stop or axis range limitation, this can result in material damage to the industrial robot. The manipulator must be taken out of operation and KUKA Roboter GmbH must be consulted before it is put back into operation (>>> 9 "KUKA Service" Page 59).

5.4.2 Mechanical axis range limitation (optional)

Some manipulators can be fitted with mechanical axis range limitation in axes A1 to A3. The adjustable axis range limitation systems restrict the working range to the required minimum. This increases personal safety and protection of the system.


In the case of manipulators that are not designed to be fitted with mechanical axis range limitation, the workspace must be laid out in such a way that there is no danger to persons or material property, even in the absence of mechanical axis range limitation.

If this is not possible, the workspace must be limited by means of photoelectric barriers, photoelectric curtains or obstacles on the system side. There must be no shearing or crushing hazards at the loading and transfer areas.

 This option is not available for all robot models. Information on specific robot models can be obtained from KUKA Roboter GmbH.

5.4.3 Axis range monitoring (optional)

Some manipulators can be fitted with dual-channel axis range monitoring systems in main axes A1 to A3. The positioner axes may be fitted with additional axis range monitoring systems. The safety zone for an axis can be adjusted and monitored using an axis range monitoring system. This increases personal safety and protection of the system.

 This option is not available for all robot models. Information on specific robot models can be obtained from KUKA Roboter GmbH.


5.4.4 Devices for moving the manipulator without the robot controller (options)


Description

The following devices are available for moving the manipulator after an accident or malfunction:

- Release device
The release device can be used for the main axis drive motors and, depending on the robot variant, also for the wrist axis drive motors.
- Brake release device
The brake release device is designed for robot variants whose motors are not freely accessible.

The devices are only for use in exceptional circumstances and emergencies, e.g. for freeing people.

 These options are not available for all robot models. Information on specific robot models can be obtained from KUKA Roboter GmbH.


 **CAUTION** The motors reach temperatures during operation which can cause burns to the skin. Contact must be avoided. Appropriate safety precautions must be taken, e.g. protective gloves must be worn.


Procedure

Moving the manipulator with the release device:

1. Switch off the robot controller and secure it (e.g. with a padlock) to prevent unauthorized persons from switching it on again.
2. Remove the protective cap from the motor.
3. Push the release device onto the corresponding motor and move the axis in the desired direction.


The directions are indicated with arrows on the motors. It is necessary to overcome the resistance of the mechanical motor brake and any other loads acting on the axis.

 **WARNING** Moving an axis with the release device can damage the motor brake. This can result in personal injury and material damage. After using the release device, the motor must be exchanged.


 **WARNING** If a robot axis has been moved by the release device, all robot axes must be remastered. Serious injuries or damage to property may otherwise result.

Procedure

Moving the manipulator with the brake release device:

 **WARNING** Use of the brake release device may result in unexpected robot motions, especially sagging of the axes. During use of the brake release device, attention must be paid to motion of this kind in order to be able to prevent physical injuries or damage to property. Standing under moving axes is not permitted.

1. Switch off the robot controller and secure it (e.g. with a padlock) to prevent unauthorized persons from switching it on again.
2. Connect the brake release device to the base frame of the robot:
Unplug connector X30 from interface A1. Plug connector X20 of the brake release device into interface A1.
3. Select the brakes to be released (main axes, wrist axes) via the selection switch on the brake release device.
4. Press the button on the hand-held device.
The brakes of the main axes or wrist axes are released and the robot can be moved manually.


 Further information about the brake release device can be found in the documentation for the brake release device.

5.4.5 Labeling on the industrial robot

All plates, labels, symbols and marks constitute safety-relevant parts of the industrial robot. They must not be modified or removed.

Labeling on the industrial robot consists of:

- Identification plates
- Warning labels
- Safety symbols
- Designation labels
- Cable markings
- Rating plates

 Further information is contained in the technical data of the operating instructions or assembly instructions of the components of the industrial robot.

5.5 Safety measures

5.5.1 General safety measures

The industrial robot may only be used in perfect technical condition in accordance with its intended use and only by safety-conscious persons. Operator errors can result in personal injury and damage to property.

It is important to be prepared for possible movements of the industrial robot even after the robot controller has been switched off and locked. Incorrect installation (e.g. overload) or mechanical defects (e.g. brake defect) can cause the manipulator or external axes to sag. If work is to be carried out on a switched-off industrial robot, the manipulator and external axes must first be moved into a position in which they are unable to move on their own, whether the payload is mounted or not. If this is not possible, the manipulator and external axes must be secured by appropriate means.

⚠ DANGER In the absence of operational safety functions and safeguards, the industrial robot can cause personal injury or material damage. If safety functions or safeguards are dismantled or deactivated, the industrial robot may not be operated.

⚠ WARNING Standing underneath the robot arm can cause death or serious injuries. For this reason, standing underneath the robot arm is prohibited!

⚠ CAUTION The motors reach temperatures during operation which can cause burns to the skin. Contact must be avoided. Appropriate safety precautions must be taken, e.g. protective gloves must be worn.

KCP

The user must ensure that the industrial robot is only operated with the KCP by authorized persons.

If more than one KCP is used in the overall system, it must be ensured that each KCP is unambiguously assigned to the corresponding industrial robot. They must not be interchanged.

⚠ WARNING The operator must ensure that decoupled KCPs are immediately removed from the system and stored out of sight and reach of personnel working on the industrial robot. This serves to prevent operational and non-operational EMERGENCY STOP devices from becoming interchanged. Failure to observe this precaution may result in death, severe injuries or considerable damage to property.

External keyboard, external mouse

An external keyboard and/or external mouse may only be used if the following conditions are met:

- Start-up or maintenance work is being carried out.
- The drives are switched off.
- There are no persons in the danger zone.

The KCP must not be used as long as an external keyboard and/or external mouse are connected.

The external keyboard and/or external mouse must be removed as soon as the start-up or maintenance work is completed or the KCP is connected.

Faults

The following tasks must be carried out in the case of faults in the industrial robot:

- Switch off the robot controller and secure it (e.g. with a padlock) to prevent unauthorized persons from switching it on again.
- Indicate the fault by means of a label with a corresponding warning (tag-out).
- Keep a record of the faults.
- Eliminate the fault and carry out a function test.

Modifications

After modifications to the industrial robot, checks must be carried out to ensure the required safety level. The valid national or regional work safety regulations must be observed for this check. The correct functioning of all safety circuits must also be tested.

New or modified programs must always be tested first in Manual Reduced Velocity mode (T1).

After modifications to the industrial robot, existing programs must always be tested first in Manual Reduced Velocity mode (T1). This applies to all components of the industrial robot and includes modifications to the software and configuration settings.

5.5.2 Transportation**Manipulator**

The prescribed transport position of the manipulator must be observed. Transportation must be carried out in accordance with the operating instructions or assembly instructions of the robot.

Robot controller

The prescribed transport position of the robot controller must be observed. Transportation must be carried out in accordance with the operating instructions or assembly instructions of the robot controller.

Avoid vibrations and impacts during transportation in order to prevent damage to the robot controller.

External axis (optional)

The prescribed transport position of the external axis (e.g. KUKA linear unit, turn-tilt table, positioner) must be observed. Transportation must be carried out in accordance with the operating instructions or assembly instructions of the external axis.

5.5.3 Start-up and recommissioning

Before starting up systems and devices for the first time, a check must be carried out to ensure that the systems and devices are complete and operational, that they can be operated safely and that any damage is detected.

The valid national or regional work safety regulations must be observed for this check. The correct functioning of all safety circuits must also be tested.



The passwords for logging onto the KUKA System Software as “Expert” and “Administrator” must be changed before start-up and must only be communicated to authorized personnel.

**DANGER**

The robot controller is preconfigured for the specific industrial robot. If cables are interchanged, the manipulator and the external axes (optional) may receive incorrect data and can thus cause personal injury or material damage. If a system consists of more than one manipulator, always connect the connecting cables to the manipulators and their corresponding robot controllers.



If additional components (e.g. cables), which are not part of the scope of supply of KUKA Roboter GmbH, are integrated into the industrial robot, the user is responsible for ensuring that these components do not adversely affect or disable safety functions.

NOTICE

If the internal cabinet temperature of the robot controller differs greatly from the ambient temperature, condensation can form, which may cause damage to the electrical components. Do not put the robot controller into operation until the internal temperature of the cabinet has adjusted to the ambient temperature.

Function test

The following tests must be carried out before start-up and recommissioning: It must be ensured that:

- The industrial robot is correctly installed and fastened in accordance with the specifications in the documentation.
- There are no foreign bodies or loose parts on the industrial robot.
- All required safety equipment is correctly installed and operational.
- The power supply ratings of the industrial robot correspond to the local supply voltage and mains type.
- The ground conductor and the equipotential bonding cable are sufficiently rated and correctly connected.
- The connecting cables are correctly connected and the connectors are locked.

Machine data

It must be ensured that the rating plate on the robot controller has the same machine data as those entered in the declaration of incorporation. The machine data on the rating plate of the manipulator and the external axes (optional) must be entered during start-up.

DANGER

The industrial robot must not be moved if incorrect machine data are loaded. Death, severe injuries or considerable damage to property may otherwise result. The correct machine data must be loaded.

5.5.4 Manual mode

Manual mode is the mode for setup work. Setup work is all the tasks that have to be carried out on the industrial robot to enable automatic operation. Setup work includes:

- Jog mode
- Teach
- Programming
- Program verification

The following must be taken into consideration in manual mode:

- If the drives are not required, they must be switched off to prevent the manipulator or the external axes (optional) from being moved unintentionally. New or modified programs must always be tested first in Manual Reduced Velocity mode (T1).
- The manipulator, tooling or external axes (optional) must never touch or project beyond the safety fence.
- Workpieces, tooling and other objects must not become jammed as a result of the industrial robot motion, nor must they lead to short-circuits or be liable to fall off.
- All setup work must be carried out, where possible, from outside the safeguarded area.

If the setup work has to be carried out inside the safeguarded area, the following must be taken into consideration:

In Manual Reduced Velocity mode (T1):

- If it can be avoided, there must be no other persons inside the safeguarded area.
If it is necessary for there to be several persons inside the safeguarded area, the following must be observed:
 - Each person must have an enabling device.
 - All persons must have an unimpeded view of the industrial robot.
 - Eye-contact between all persons must be possible at all times.
- The operator must be so positioned that he can see into the danger area and get out of harm's way.

In Manual High Velocity mode (T2):

- This mode may only be used if the application requires a test at a velocity higher than Manual Reduced Velocity.
- Teaching and programming are not permissible in this operating mode.
- Before commencing the test, the operator must ensure that the enabling devices are operational.
- The operator must be positioned outside the danger zone.
- There must be no other persons inside the safeguarded area. It is the responsibility of the operator to ensure this.

5.5.5 Automatic mode

Automatic mode is only permissible in compliance with the following safety measures:

- All safety equipment and safeguards are present and operational.
- There are no persons in the system.
- The defined working procedures are adhered to.

If the manipulator or an external axis (optional) comes to a standstill for no apparent reason, the danger zone must not be entered until an EMERGENCY STOP has been triggered.

5.5.6 Maintenance and repair

After maintenance and repair work, checks must be carried out to ensure the required safety level. The valid national or regional work safety regulations must be observed for this check. The correct functioning of all safety circuits must also be tested.

The purpose of maintenance and repair work is to ensure that the system is kept operational or, in the event of a fault, to return the system to an operational state. Repair work includes troubleshooting in addition to the actual repair itself.

The following safety measures must be carried out when working on the industrial robot:

- Carry out work outside the danger zone. If work inside the danger zone is necessary, the user must define additional safety measures to ensure the safe protection of personnel.
- Switch off the industrial robot and secure it (e.g. with a padlock) to prevent it from being switched on again. If it is necessary to carry out work with the robot controller switched on, the user must define additional safety measures to ensure the safe protection of personnel.
- If it is necessary to carry out work with the robot controller switched on, this may only be done in operating mode T1.

- Label the system with a sign indicating that work is in progress. This sign must remain in place, even during temporary interruptions to the work.
- The EMERGENCY STOP systems must remain active. If safety functions or safeguards are deactivated during maintenance or repair work, they must be reactivated immediately after the work is completed.

⚠ WARNING

Before work is commenced on live parts of the robot system, the main switch must be turned off and secured against being switched on again by unauthorized personnel. The incoming power cable must be deenergized. The robot controller and mains supply lead must then be checked to ensure that it is deenergized.

If the KR C4 or VKR C4 robot controller is used:

It is not sufficient, before commencing work on live parts, to execute an EMERGENCY STOP or a safety stop, or to switch off the drives, as this does not disconnect the robot system from the mains power supply in the case of the drives of the new generation. Parts remain energized. Death or severe injuries may result.

Faulty components must be replaced using new components with the same article numbers or equivalent components approved by KUKA Roboter GmbH for this purpose.

Cleaning and preventive maintenance work is to be carried out in accordance with the operating instructions.

Robot controller

Even when the robot controller is switched off, parts connected to peripheral devices may still carry voltage. The external power sources must therefore be switched off if work is to be carried out on the robot controller.

The ESD regulations must be adhered to when working on components in the robot controller.

Voltages in excess of 50 V (up to 600 V) can be present in various components for several minutes after the robot controller has been switched off! To prevent life-threatening injuries, no work may be carried out on the industrial robot in this time.

Water and dust must be prevented from entering the robot controller.

Counterbalancing system

Some robot variants are equipped with a hydropneumatic, spring or gas cylinder counterbalancing system.

The hydropneumatic and gas cylinder counterbalancing systems are pressure equipment and, as such, are subject to obligatory equipment monitoring. Depending on the robot variant, the counterbalancing systems correspond to category 0, II or III, fluid group 2, of the Pressure Equipment Directive.

The user must comply with the applicable national laws, regulations and standards pertaining to pressure equipment.

Inspection intervals in Germany in accordance with Industrial Safety Order, Sections 14 and 15. Inspection by the user before commissioning at the installation site.

The following safety measures must be carried out when working on the counterbalancing system:

- The manipulator assemblies supported by the counterbalancing systems must be secured.
- Work on the counterbalancing systems must only be carried out by qualified personnel.

Hazardous substances

The following safety measures must be carried out when handling hazardous substances:

- Avoid prolonged and repeated intensive contact with the skin.

- Avoid breathing in oil spray or vapors.
- Clean skin and apply skin cream.



To ensure safe use of our products, we recommend that our customers regularly request up-to-date safety data sheets from the manufacturers of hazardous substances.

5.5.7 Decommissioning, storage and disposal

The industrial robot must be decommissioned, stored and disposed of in accordance with the applicable national laws, regulations and standards.

5.6 Applied norms and regulations

Name	Definition	Edition
2006/42/EC	Machinery Directive: Directive 2006/42/EC of the European Parliament and of the Council of 17 May 2006 on machinery, and amending Directive 95/16/EC (recast)	2006
2004/108/EC	EMC Directive: Directive 2004/108/EC of the European Parliament and of the Council of 15 December 2004 on the approximation of the laws of the Member States relating to electromagnetic compatibility and repealing Directive 89/336/EEC	2004
97/23/EC	Pressure Equipment Directive: Directive 97/23/EC of the European Parliament and of the Council of 29 May 1997 on the approximation of the laws of the Member States concerning pressure equipment (Only applicable for robots with hydropneumatic counterbalancing system.)	1997
EN ISO 13850	Safety of machinery: Emergency stop - Principles for design	2008
EN ISO 13849-1	Safety of machinery: Safety-related parts of control systems - Part 1: General principles of design	2008
EN ISO 13849-2	Safety of machinery: Safety-related parts of control systems - Part 2: Validation	2008
EN ISO 12100	Safety of machinery: General principles of design, risk assessment and risk reduction	2010
EN ISO 10218-1	Industrial robots: Safety	2011
EN 614-1	Safety of machinery: Ergonomic design principles - Part 1: Terms and general principles	2006
EN 61000-6-2	Electromagnetic compatibility (EMC): Part 6-2: Generic standards; Immunity for industrial environments	2005

Name	Definition	Edition
EN 61000-6-4	Electromagnetic compatibility (EMC): Part 6-4: Generic standards; Emission standard for industrial environments	2007
EN 60204-1	Safety of machinery: Electrical equipment of machines - Part 1: General requirements	2006

6 Planning

6.1 Mounting base 175 mm

Description The mounting base with centering (>>> Fig. 6-1) is used when the robot is fastened to the floor, i.e. directly on a concrete foundation with a thickness of at least 175 mm.

The mounting base consists of:

- Plate
- Chemical anchors (resin-bonded anchors) with Dynamic Set
- Fasteners

This mounting variant requires a level and smooth surface on a concrete foundation with adequate load bearing capacity. The concrete foundation must be able to accommodate the forces occurring during operation. The minimum dimensions must be observed.

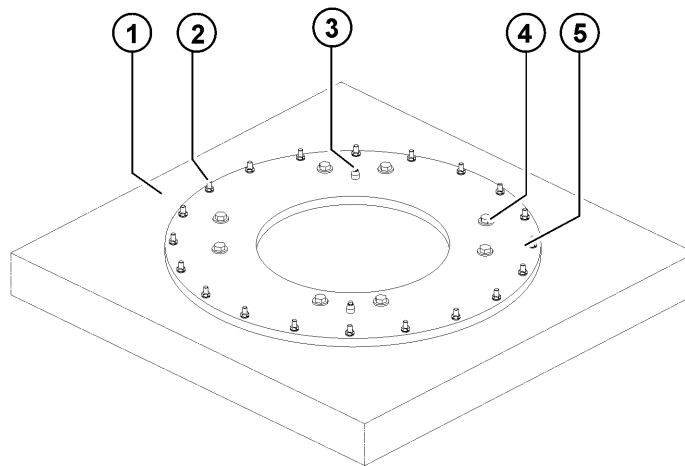


Fig. 6-1: Mounting base 175 mm

- | | | | |
|---|---------------------------------------|---|--------------|
| 1 | Concrete foundation | 4 | Hexagon bolt |
| 2 | Chemical anchor (resin-bonded anchor) | 5 | Plate |
| 3 | Pin | | |

Grade of concrete for foundations When producing foundations from concrete, observe the load-bearing capacity of the ground and the country-specific construction regulations. The quality of the concrete must meet the requirements of the following standard:

- C20/25 according to DIN EN 206-1:2001/DIN 1045-2:2001

Dimensioned drawing The following illustration (>>> Fig. 6-2) provides all the necessary information on the mounting base, together with the required foundation data.

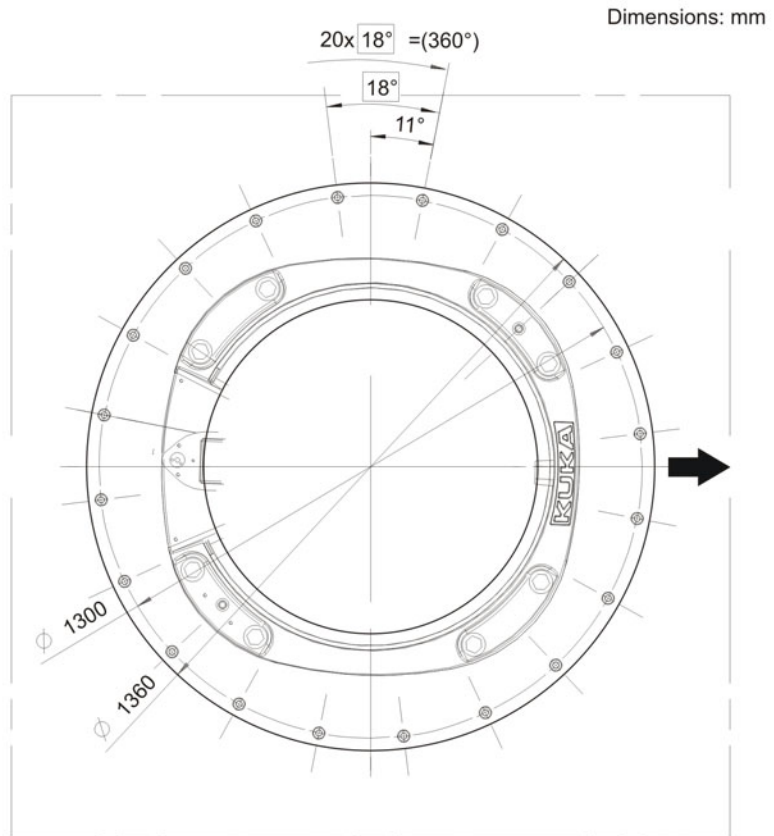


Fig. 6-2: Mounting base 175 mm, dimensioned drawing

To ensure that the anchor forces are safely transmitted to the foundation, observe the dimensions for concrete foundations specified in the following illustration (>>> Fig. 6-3).

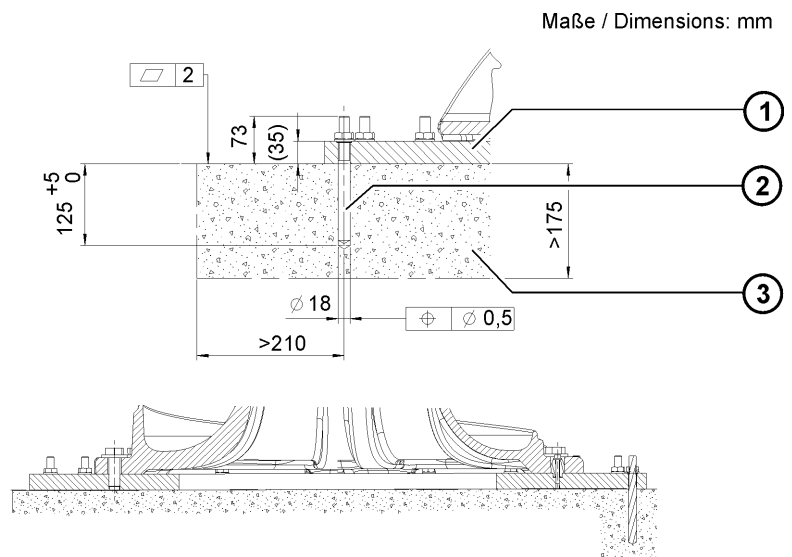


Fig. 6-3: Cross-section of foundation 175 mm

- 1 Bedplate
- 2 Chemical anchors (resin-bonded anchors) with Dynamic Set
- 3 Concrete foundation

6.2 Mounting base 200 mm

Description The mounting base with centering (>>> Fig. 6-4) is used when the robot is fastened to the floor, i.e. directly on a concrete foundation with a thickness of at least 200 mm.

The mounting base with centering consists of:

- Bedplates
- Chemical anchors
- Fastening elements

This mounting variant requires a level and smooth surface on a concrete foundation with adequate load bearing capacity. The concrete foundation must be able to accommodate the forces occurring during operation. There must be no layers of insulation or screed between the bedplates and the concrete foundation.

The minimum dimensions must be observed.

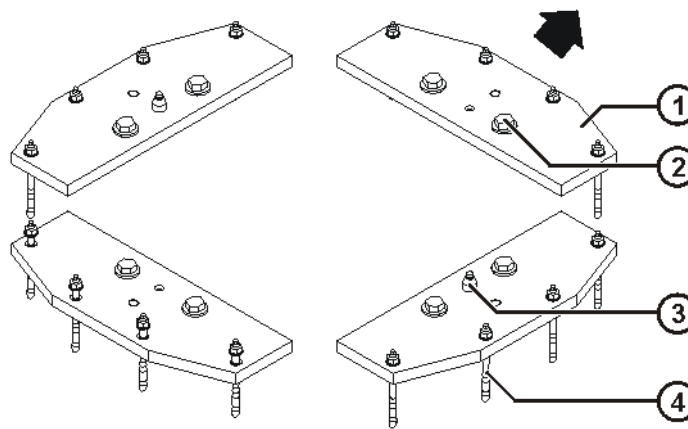


Fig. 6-4: Mounting base 200 mm

- | | |
|----------------|---|
| 1 Bedplate | 3 Pin with Allen screw |
| 2 Hexagon bolt | 4 Resin-bonded anchors with Dynamic Set |

Grade of concrete for foundations When producing foundations from concrete, observe the load-bearing capacity of the ground and the country-specific construction regulations. The quality of the concrete must meet the requirements of the following standard:

- C20/25 according to DIN EN 206-1:2001/DIN 1045-2:2001

Dimensioned drawing The following illustrations provide all the necessary information on the mounting base, together with the required foundation data.

Dimensions: mm

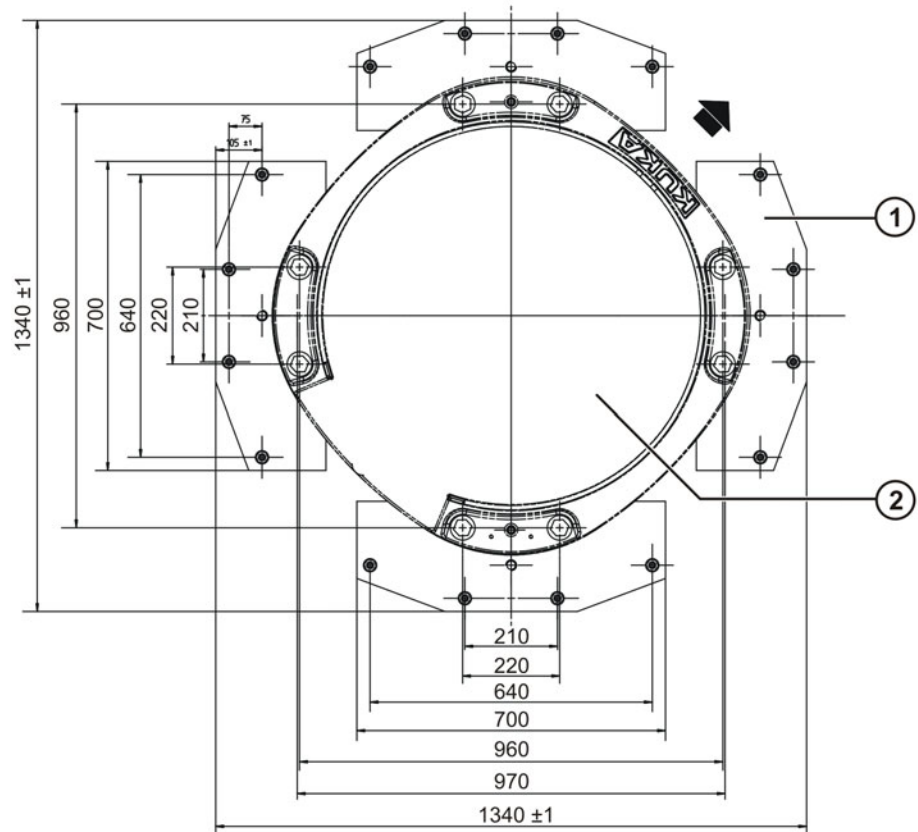


Fig. 6-5: Mounting base 200 mm, dimensioned drawing

- 1 Robot
- 2 Bedplate

To ensure that the anchor forces are safely transmitted to the foundation, observe the dimensions for concrete foundations specified in the following illustration.

Maße / Dimensions: mm

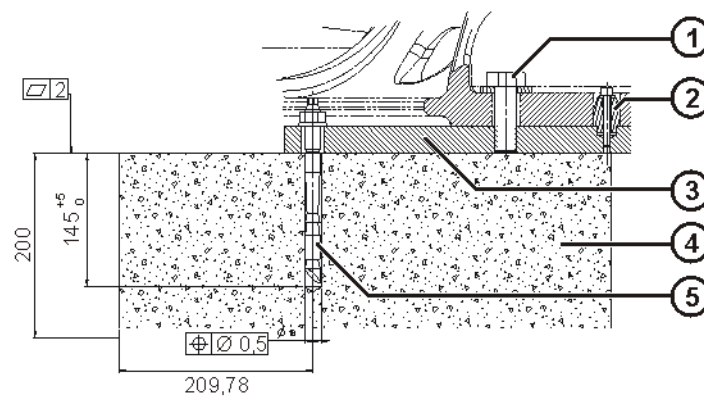


Fig. 6-6: Cross-section of foundation 200 mm

- 1 Hexagon bolt
- 2 Pin
- 3 Bedplate
- 4 Concrete foundation
- 5 Resin-bonded anchor

6.3 Machine frame mounting

Description

The machine frame mounting assembly (>>> Fig. 6-7) with centering is used when the robot is fastened on a steel structure, a booster frame (pedestal) or a KUKA linear unit. It must be ensured that the substructure is able to withstand safely the forces occurring during operation (foundation loads). The following diagram contains all the necessary information that must be observed when preparing the mounting surface.

The machine frame mounting assembly consists of (>>> Fig. 6-8):

- Pin with fasteners
- Sword pin with fasteners
- Hexagon bolts with conical spring washers

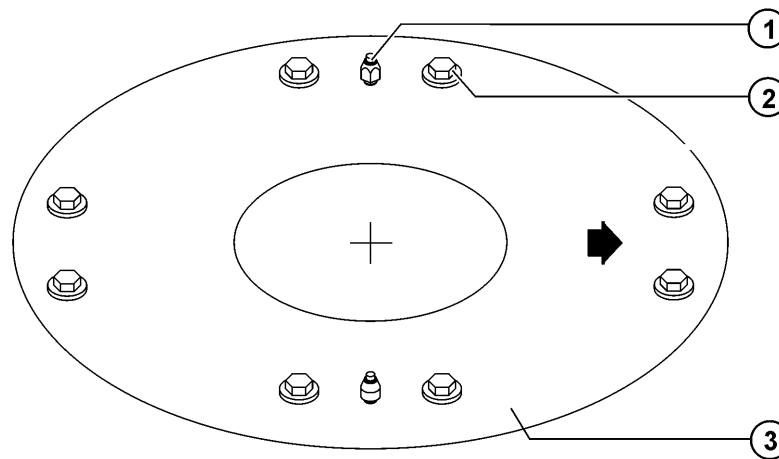


Fig. 6-7: Machine frame mounting

- | | | | |
|---|-------------------|---|------------------|
| 1 | Pin, sword pin | 3 | Mounting surface |
| 2 | Hexagon bolt (8x) | | |

Wiring diagrams, connector pin allocations and connector designations can be found in the section “Electrical installations” or .

Interface for energy supply systems

The robot can be equipped with an energy supply system between axis 1 and axis 6 and a second energy supply system between axis 6 and the tool. The A1 interface required for this is located on the rear, and the A6 interface is located on the swing frame and on the tool of the robot. The interfaces are equipped with connections for cables and hoses depending on the application. Detailed information on the connector pin allocation, threaded unions, etc. is given in separate documentation.

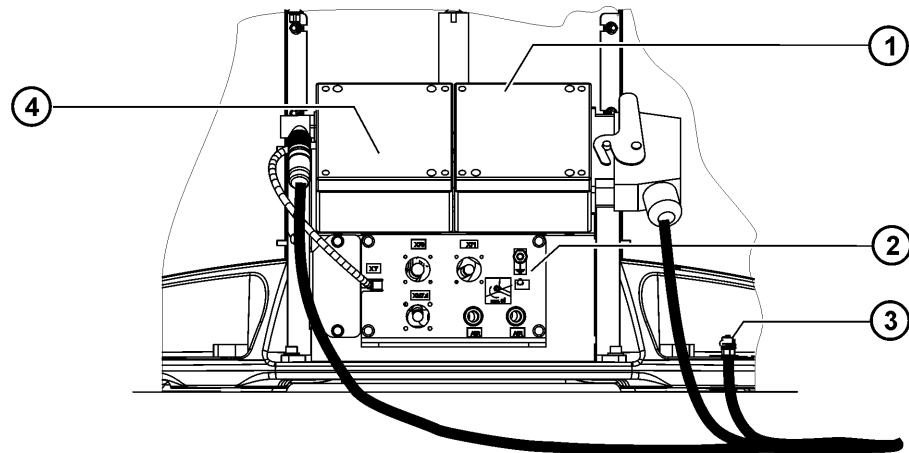


Fig. 6-9: Junction box for KR C2

- | | | | |
|---|---------------------------------------|---|---|
| 1 | Junction box,
motor cable X30 | 3 | Ground conductor connection,
M8 ring cable lug |
| 2 | Energy supply system,
interface A1 | 4 | RDC box, X31 |

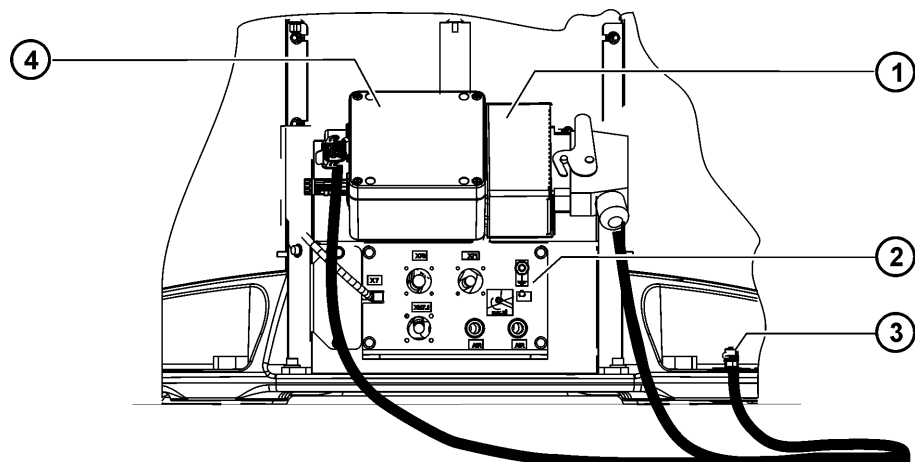


Fig. 6-10: Interface A1 for KR C4

- | | | | |
|---|---------------------------------------|---|---|
| 1 | MFH,
motor cable X30 | 3 | Ground conductor connection,
M8 ring cable lug |
| 2 | Energy supply system,
interface A1 | 4 | RDC box, X31 |

7 Transportation

7.1 Transporting the robot

Before transporting the robot, always move the robot into its transport position. It must be ensured that the robot is stable while it is being transported. The robot must remain in its transport position until it has been fastened in position. Before the robot is lifted, it must be ensured that it is free from obstructions. Remove all transport safeguards, such as nails and screws, in advance. First remove any rust or glue on contact surfaces.

Transport position

The robot must be in the transport position (>>> Fig. 7-1) before it can be transported. The robot is in the transport position when the axes are in the following positions:

Axis	A1	A2	A3	A6
Transport position	0°	-120°	+150°	0°
Transport position with transport frame	+45°	-22.50°	+120°	0°

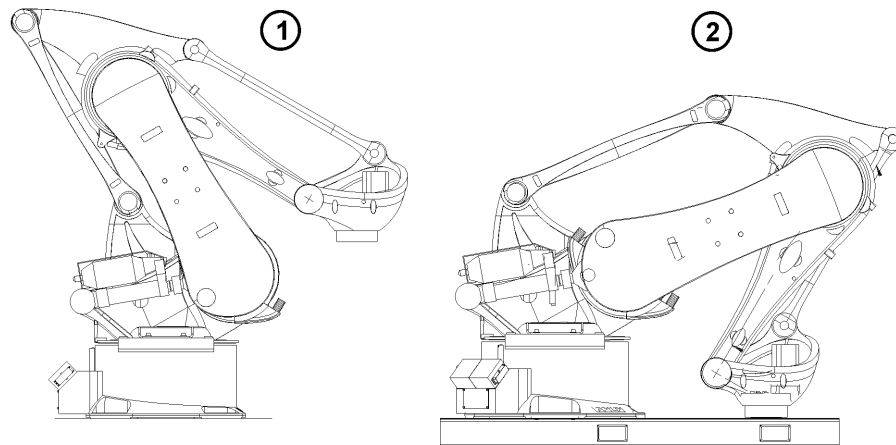


Fig. 7-1: Transport position

- 1 Transport position, standard
- 2 Transport position with transport frame

Transport dimensions

The transport dimensions (>>> Fig. 7-2) and (>>> Fig. 7-3) for the robot can be noted from the following diagrams. The position of the center of gravity and the weight vary according to the specific configuration and the position of axes 2 and 3. The specified dimensions refer to the robot without equipment.

Maße / Dimensions: mm

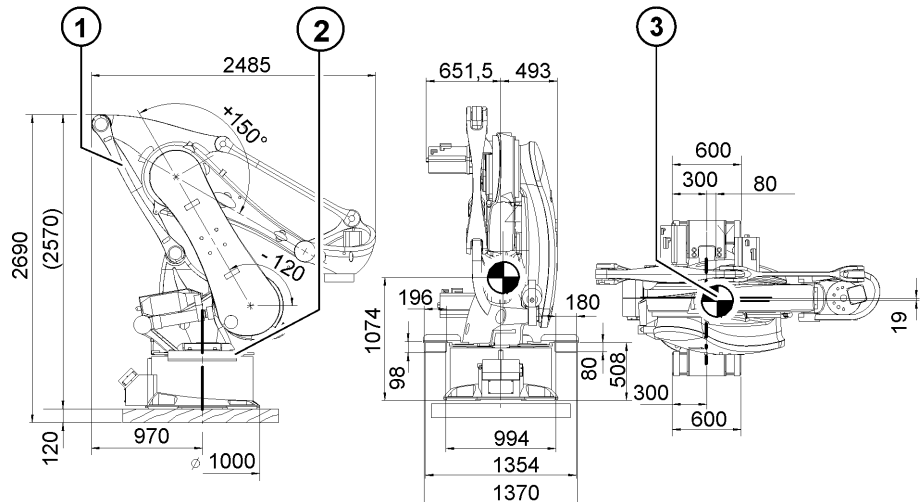


Fig. 7-2: Transport dimensions

- 1 Robot
- 2 Fork slots
- 3 Center of gravity

Maße / Dimensions: mm

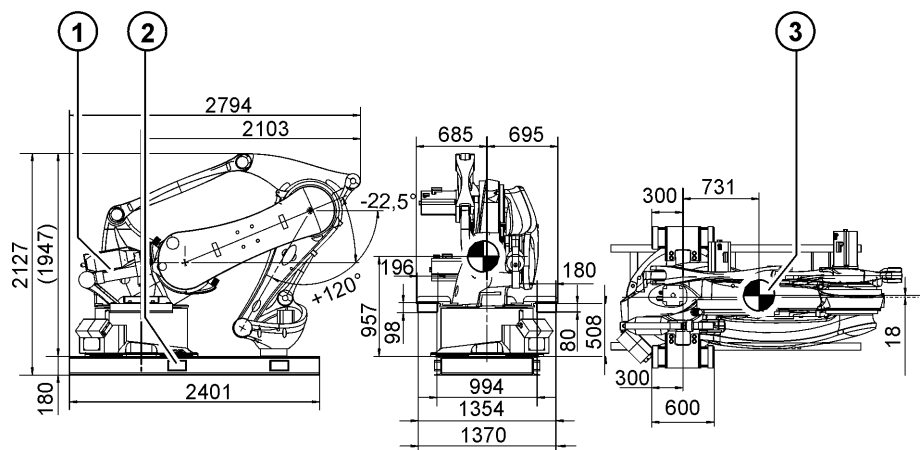


Fig. 7-3: Transport dimensions with transport frame

- 1 Robot
- 2 Fork slots in the transport frame
- 3 Center of gravity

Transportation

The robot can be transported by fork lift truck or using lifting tackle.

WARNING Use of unsuitable handling equipment may result in damage to the robot or injury to persons. Only use authorized handling equipment with a sufficient load-bearing capacity. Only transport the robot in the manner specified here.

Transportation by fork lift truck

For transport by fork lift truck, two fork slots must be installed on the rotating column. The fork lift truck must have a minimum payload capacity of 3.5 t.

NOTICE Avoid excessive loading of the fork slots through undue inward or outward movement of hydraulically adjustable forks of the fork lift truck.

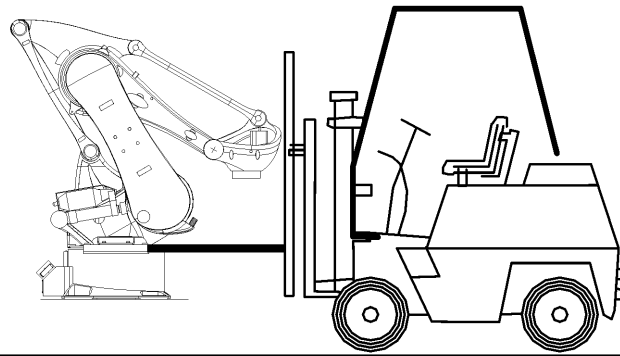


Fig. 7-4: Transportation by fork lift truck

Transportation using lifting tackle

The robot can also be transported using lifting tackle (>>> Fig. 7-5). The robot must be in the transport position. The lifting tackle is attached at 3 points: one rope sling through each of the openings in the rotating column and the link arm, and one rope sling through an eyebolt at the rear of the rotating column. All ropes must be long enough and must be routed in such a way that the robot is not damaged. Installed tools and pieces of equipment can cause undesirable shifts in the center of gravity.

WARNING The robot may tip during transportation. Risk of personal injury and damage to property.
If the robot is being transported using lifting tackle, special care must be exercised to prevent it from tipping. Additional safeguarding measures must be taken. It is forbidden to pick up the robot in any other way using a crane!

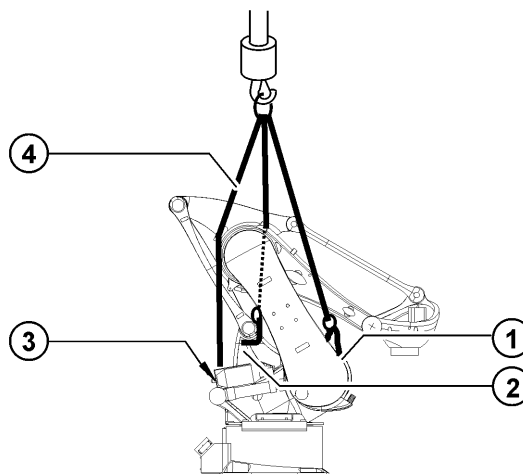


Fig. 7-5: Transportation using lifting tackle

- | | | | |
|---|--------------------------------|---|----------------|
| 1 | Opening in the link arm | 3 | Eyebolt |
| 2 | Opening in the rotating column | 4 | Lifting tackle |

Transportation with transport frame

If the permitted height for transportation is exceeded in the transport position, the robot can be moved into a different position. To do this, the robot must be secured to the transport frame with all holding-down bolts. Once this has been done, axes 2 and 3 can be moved so as to reduce the overall height (>>> Fig. 7-6). The robot can be transported on the transport frame by crane

or fork lift truck; with a fork lift truck, it can be picked up from all four sides. The weight with transport frame and without equipment is 3,062 kg.

The transport position given below must not be moved to until the robot has been fastened to the transport frame with all hexagon bolts and these have been tightened with a torque of $M_A 640 \text{ Nm}$.

Axis	A1	A2	A3	A6
Angle	+45°	-22.5°	+120	0°

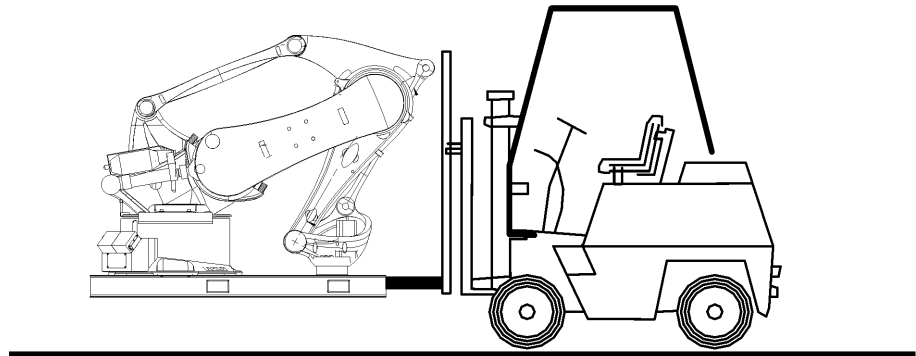


Fig. 7-6: Transportation with transport frame

8 Options

8.1 Working range limitation, supplementary stop (optional)

Description The working range limitation can be used to restrict the available working range about axis 1 in 12° steps in both the plus and minus directions. The assembly consists of two stops with the relevant fastening screws, installed in addition to the standard stop.

Due to the trailing stop, there is always a residual range of 85°, which cannot be limited.

8.2 Release device (optional)

Description The release device can be used to move the manipulator manually after an accident or malfunction. The release device can be used for the motors of axes 1 to 3 and axis 6. It is only for use in exceptional circumstances and emergencies (e.g. for freeing people).

The release device is mounted on the base frame of the manipulator. This assembly also includes a ratchet and a set of plates with one plate for each motor. The plate specifies the direction of rotation for the ratchet and shows the corresponding direction of motion of the manipulator.

9 KUKA Service

9.1 Requesting support

Introduction The KUKA Roboter GmbH documentation offers information on operation and provides assistance with troubleshooting. For further assistance, please contact your local KUKA subsidiary.

Information The following information is required for processing a support request:

- Model and serial number of the robot
- Model and serial number of the controller
- Model and serial number of the linear unit (if applicable)
- Model and serial number of the linear unit (if applicable)
- Version of the KUKA System Software
- Optional software or modifications
- Archive of the software

For KUKA System Software V8: instead of a conventional archive, generate the special data package for fault analysis (via **KrcDiag**).
- Application used
- Any external axes used
- Description of the problem, duration and frequency of the fault

9.2 KUKA Customer Support

Availability KUKA Customer Support is available in many countries. Please do not hesitate to contact us if you have any questions.

Argentina Ruben Costantini S.A. (Agency)
Luis Angel Huergo 13 20
Parque Industrial
2400 San Francisco (CBA)
Argentina
Tel. +54 3564 421033
Fax +54 3564 428877
ventas@costantini-sa.com

Australia Headland Machinery Pty. Ltd.
Victoria (Head Office & Showroom)
95 Highbury Road
Burwood
Victoria 31 25
Australia
Tel. +61 3 9244-3500
Fax +61 3 9244-3501
vic@headland.com.au
www.headland.com.au

Belgium	KUKA Automatisering + Robots N.V. Centrum Zuid 1031 3530 Houthalen Belgium Tel. +32 11 516160 Fax +32 11 526794 info@kuka.be www.kuka.be
Brazil	KUKA Roboter do Brasil Ltda. Avenida Franz Liszt, 80 Parque Novo Mundo Jd. Guançã CEP 02151 900 São Paulo SP Brazil Tel. +55 11 69844900 Fax +55 11 62017883 info@kuka-roboter.com.br
Chile	Robotec S.A. (Agency) Santiago de Chile Chile Tel. +56 2 331-5951 Fax +56 2 331-5952 robotec@robotec.cl www.robotec.cl
China	KUKA Automation Equipment (Shanghai) Co., Ltd. Songjiang Industrial Zone No. 388 Minshen Road 201612 Shanghai China Tel. +86 21 6787-1808 Fax +86 21 6787-1805 info@kuka-sha.com.cn www.kuka.cn
Germany	KUKA Roboter GmbH Zugspitzstr. 140 86165 Augsburg Germany Tel. +49 821 797-4000 Fax +49 821 797-1616 info@kuka-roboter.de www.kuka-roboter.de

France KUKA Automatismes + Robotique SAS
Techvallée
6, Avenue du Parc
91140 Villebon S/Yvette
France
Tel. +33 1 6931660-0
Fax +33 1 6931660-1
commercial@kuka.fr
www.kuka.fr

India KUKA Robotics India Pvt. Ltd.
Office Number-7, German Centre,
Level 12, Building No. - 9B
DLF Cyber City Phase III
122 002 Gurgaon
Haryana
India
Tel. +91 124 4635774
Fax +91 124 4635773
info@kuka.in
www.kuka.in

Italy KUKA Roboter Italia S.p.A.
Via Pavia 9/a - int.6
10098 Rivoli (TO)
Italy
Tel. +39 011 959-5013
Fax +39 011 959-5141
kuka@kuka.it
www.kuka.it

Japan KUKA Robotics Japan K.K.
YBP Technical Center
134 Godo-cho, Hodogaya-ku
Yokohama, Kanagawa
240 0005
Japan
Tel. +81 45 744 7691
Fax +81 45 744 7696
info@kuka.co.jp

Canada KUKA Robotics Canada Ltd.
6710 Maritz Drive - Unit 4
Mississauga
L5W 0A1
Ontario
Canada
Tel. +1 905 670-8600
Fax +1 905 670-8604
info@kukarobotics.com
www.kuka-robotics.com/canada

Korea	KUKA Robotics Korea Co. Ltd. RIT Center 306, Gyeonggi Technopark 1271-11 Sa 3-dong, Sangnok-gu Ansan City, Gyeonggi Do 426-901 Korea Tel. +82 31 501-1451 Fax +82 31 501-1461 info@kukakorea.com
Malaysia	KUKA Robot Automation Sdn Bhd South East Asia Regional Office No. 24, Jalan TPP 1/10 Taman Industri Puchong 47100 Puchong Selangor Malaysia Tel. +60 3 8061-0613 or -0614 Fax +60 3 8061-7386 info@kuka.com.my
Mexico	KUKA de México S. de R.L. de C.V. Progreso #8 Col. Centro Industrial Puente de Vigas Tlalnepantla de Baz 54020 Estado de México Mexico Tel. +52 55 5203-8407 Fax +52 55 5203-8148 info@kuka.com.mx www.kuka-robotics.com/mexico
Norway	KUKA Sveiseanlegg + Roboter Sentrumsvegen 5 2867 Hov Norway Tel. +47 61 18 91 30 Fax +47 61 18 62 00 info@kuka.no
Austria	KUKA Roboter Austria GmbH Vertriebsbüro Österreich Regensburger Strasse 9/1 4020 Linz Austria Tel. +43 732 784752 Fax +43 732 793880 office@kuka-roboter.at www.kuka-roboter.at

Poland KUKA Roboter Austria GmbH
Spółka z ograniczoną odpowiedzialnością
Oddział w Polsce
Ul. Porcelanowa 10
40-246 Katowice
Poland
Tel. +48 327 30 32 13 or -14
Fax +48 327 30 32 26
ServicePL@kuka-roboter.de

Portugal KUKA Sistemas de Automatización S.A.
Rua do Alto da Guerra n° 50
Armazém 04
2910 011 Setúbal
Portugal
Tel. +351 265 729780
Fax +351 265 729782
kuka@mail.telepac.pt

Russia OOO KUKA Robotics Rus
Webnaja ul. 8A
107143 Moskau
Russia
Tel. +7 495 781-31-20
Fax +7 495 781-31-19
kuka-robotics.ru

Sweden KUKA Svetsanläggningar + Robotar AB
A. Odhners gata 15
421 30 Västra Frölunda
Sweden
Tel. +46 31 7266-200
Fax +46 31 7266-201
info@kuka.se

Switzerland KUKA Roboter Schweiz AG
Industriestr. 9
5432 Neuenhof
Switzerland
Tel. +41 44 74490-90
Fax +41 44 74490-91
info@kuka-roboter.ch
www.kuka-roboter.ch

Spain	KUKA Robots IBÉRICA, S.A. Pol. Industrial Torrent de la Pastera Carrer del Bages s/n 08800 Vilanova i la Geltrú (Barcelona) Spain Tel. +34 93 8142-353 Fax +34 93 8142-950 Comercial@kuka-e.com www.kuka-e.com
South Africa	Jendamark Automation LTD (Agency) 76a York Road North End 6000 Port Elizabeth South Africa Tel. +27 41 391 4700 Fax +27 41 373 3869 www.jendamark.co.za
Taiwan	KUKA Robot Automation Taiwan Co., Ltd. No. 249 Pujong Road Jungli City, Taoyuan County 320 Taiwan, R. O. C. Tel. +886 3 4331988 Fax +886 3 4331948 info@kuka.com.tw www.kuka.com.tw
Thailand	KUKA Robot Automation (M)SdnBhd Thailand Office c/o Maccall System Co. Ltd. 49/9-10 Soi Kingkaew 30 Kingkaew Road Tt. Rachatheva, A. Bangpli Samutprakarn 10540 Thailand Tel. +66 2 7502737 Fax +66 2 6612355 atika@ji-net.com www.kuka-roboter.de
Czech Republic	KUKA Roboter Austria GmbH Organisation Tschechien und Slowakei Sezemická 2757/2 193 00 Praha Horní Počernice Czech Republic Tel. +420 22 62 12 27 2 Fax +420 22 62 12 27 0 support@kuka.cz

Hungary KUKA Robotics Hungaria Kft.
Fö út 140
2335 Taksony
Hungary
Tel. +36 24 501609
Fax +36 24 477031
info@kuka-robotics.hu

USA KUKA Robotics Corporation
51870 Shelby Parkway
Shelby Township
48315-1787
Michigan
USA
Tel. +1 866 873-5852
Fax +1 866 329-5852
info@kukarobotics.com
www.kukarobotics.com

UK KUKA Automation + Robotics
Hereward Rise
Halesowen
B62 8AN
UK
Tel. +44 121 585-0800
Fax +44 121 585-0900
sales@kuka.co.uk

Index

Numbers

2004/108/EC 42
 2006/42/EC 42
 89/336/EEC 42
 95/16/EC 42
 97/23/EC 42

A

Accessories 9, 29
 Ambient temperature, storage 13
 Ambient temperature, operation 13, 14
 Ambient temperature, operation, Safe RDC 13
 Ambient temperature, set-up 14
 Ambient temperature, start-up 13, 14
 Ambient temperature, storage 14
 Ambient temperature, transportation 13, 14
 Angle of rotation 22
 Applied norms and regulations 42
 Arm 10
 Automatic mode 40
 Axis data 14
 Axis range 31
 Axis range limitation 34
 Axis range monitoring 35

B

Base frame 10, 11
 Basic data 13
 Brake defect 37
 Brake release device 35
 Braking distance 31

C

CE mark 30
 Center of gravity 53
 Cleaning work 41
 Connecting cables 9, 14, 29, 50
 Counterbalancing system 10, 11, 41
 Counterbalancing system, hydropneumatic 11

D

Danger zone 31
 Declaration of conformity 30
 Declaration of incorporation 29, 30
 Decommissioning 42
 Dimensions, transport 53
 DIN EN 60204-20.2 14
 Disposal 42
 Documentation, industrial robot 5
 Dynamic Set 45

E

EC declaration of conformity 30
 Electrical installations 10
 EMC Directive 30, 42
 EN 60204-1 43
 EN 61000-6-2 42
 EN 61000-6-4 43

EN 614-1 42
 EN ISO 10218-1 42
 EN ISO 12100 42
 EN ISO 13849-1 42
 EN ISO 13849-2 42
 EN ISO 13850 42
 Extension 22
 External axes 29, 31

F

Faults 37
 Fork lift truck 54
 Foundation loads 19
 Function test 39

G

Gear unit temperatures 14
 General information 22
 General safety measures 36
 Ground conductor 14

H

Handling equipment 54
 Hazardous substances 41
 Humidity rating 13, 14

I

Industrial robot 29
 Intended use 30
 Interface, energy supply systems 51
 Interfaces 50
 Introduction 5

K

KCP 31, 37
 KCP, KUKA Control Panel 22
 Keyboard, external 37
 KUKA Customer Support 59
 KUKA smartPAD 31

L

Labeling 36
 Liability 29
 Lifting tackle 54, 55
 Linear unit 29
 Link arm 10, 11
 Low Voltage Directive 30

M

Machine data 39
 Machine frame mounting 49
 Machine frame mounting with centering 49
 Machinery Directive 30, 42
 main axes 22
 Maintenance 40
 Manipulator 9, 29, 31, 34
 Manual mode 39
 Mechanical axis range limitation 34

Mechanical end stops 34
Minimum bending radius 14
Mounting base 175 mm 45
Mounting base 200 mm 47
Mounting flange 10, 18
Mouse, external 37

O

Operator 31, 32
Options 9, 11, 29, 57
Overload 37
Overview of the robot system 9

P

Payload diagram 17
Payloads 17
Personnel 32
Pin 49
Plant integrator 31
Plates and labels 20
Positioner 29
Pressure Equipment Directive 41, 42
Preventive maintenance work 41
Principal components 9
Product description 9
Program override, motion velocity 22
Protective equipment, overview 34
Purpose 7

R

Reaction distance 31
Recommissioning 38
Relative air humidity 13, 14
Release device 35
Release device, option 57
Repair 40
Residual working range 57
Robot controller 9, 29
Rotating column 10, 11

S

Safety 29
Safety instructions 5
Safety zone 31, 33, 34
Safety, general 29
Service life 31
Service, KUKA Roboter 59
smartPAD 31
Software 9, 29
Start-up 38
STOP 0 22, 31
STOP 1 22, 31
STOP 2 31
Stop category 0 31
Stop category 1 31
Stop category 2 31
Stop signal 22
Stopping distance 22, 31, 34
Stopping distances 22
Stopping time 22
Stopping times 22

Storage 42
Supplementary load 18
Supplementary stop 57
Support request 59
Swing frame 10
Sword pin 49
System integrator 30, 31, 32

T

T1 31
T2 31
Teach pendant 9, 29
Technical data 13
Terms used 22
Terms used, safety 31
The mounting base with centering 47
Trailing stop 57
Training 7
Transport dimensions 13
Transport frame 55
Transport position 53
Transportation 38, 53
Turn-tilt table 29

U

Use, contrary to intended use 29
Use, improper 29
User 31, 32
Users 7

W

Warnings 5
Working envelope 16
Working range limitation 34
Working range limitation (optional) 57
Workspace 31, 33, 34
Wrist 9, 10

